



COVER SHEET

Proposal Submitted By:

Contractor's Name

[Empty text box for Contractor's Name]

Contractor's Address

[Empty text box for Contractor's Address]

City

[Empty text box for City]

State

[Empty text box for State]

Zip Code

[Empty text box for Zip Code]

STATE OF ILLINOIS

Local Public Agency

Village of Oswego

County

Kendall

Section Number

24-00000-00-GM

Route(s) (Street/Road Name)

Various Roads

Type of Funds

MFT& Local

Proposal Only Proposal and Plans Proposal only, plans are separate

Submitted/Approved

For Local Public Agency:

For a County and Road District Project

Submitted/Approved

Highway Commissioner Signature & Date

[Empty text box for Highway Commissioner Signature & Date]

Submitted/Approved

County Engineer/Superintendent of Highways Signature & Date

[Empty text box for County Engineer/Superintendent of Highways Signature & Date]

For a Municipal Project

Submitted/Approved/Passed

Signature & Date

Jennifer M. Hughes 05/22/2024

Official Title

Public Works Director/Village Engineer

Department of Transportation

Released for bid based on limited review

Regional Engineer Signature & Date

[Empty text box for Regional Engineer Signature & Date]

Note: All proposal documents, including Proposal Guaranty Checks or Proposal Bid Bonds, should be stapled together to prevent loss when bids are processed.

VILLAGE OF OSWEGO
2024 RESURFACING PROGRAM
SECTION NUMBER: 24-00000-00-GM

TABLE OF CONTENTS

Part 1 – Legal and Procedural Documents

Local Public Agency Formal Contract Proposal (BLR 12200)
Schedule of Prices (BLR 12201)
Local Agency Proposal Bid Bond (BLR 12230)
Apprenticeship or Training Program Certification (BLR12325)
Affidavit of Illinois Business Office (BLR 12326)
Affidavit of Availability (BC 57)

Part 2 – Contract Special Provisions

Check Sheet for Recurring Special Provisions
Check Sheet for Recurring Local Roads and Streets Special Provisions

Special Provisions

Local Roads Special Provisions

BDE Special Provisions Check Sheet
BDE Special Provisions

Kendall County Prevailing Wages, latest edition

Part 3 – Plans

Location Map
Schedule of Quantities
Typical Sections
Construction Details
IDOT Highway Standards
IDOT District 3 Details

Local Public Agency	County	Section Number	Route(s) (Street/Road Name)
Village of Oswego	Kendall	24-00000-00-GM	Various Roads

NOTICE TO BIDDERS

Sealed proposals for the project described below will be received at the office of Director of Public Works

100 Parker's Mill, Oswego, Illinois, 60543	until	10:00 AM	on	06/18/24
Address		Time		Date

Sealed proposals will be opened and read publicly at the office of Director of Public Works

100 Parker's Mill, Oswego, Illinois, 60543	at	10:00 AM	on	06/18/24
Address		Time		Date

DESCRIPTION OF WORK

Location	Project Length
Various Locations	4.3 mi (22,945 ft)

Proposed Improvement
 Consists of resurfacing with hot-mix asphalt binder and surface courses, PCC pavement removal and HMA replacement, combination concrete curb & gutter removal and replacement, sidewalk removal and replacement, and all necessary and collateral work to construct the improvements.

1. Plans and proposal forms will be available in the office of
 Village of Oswego Finance Department. Plans and proposals only available online at <http://www.oswegoil.org>, under the Business and Development Tab-Bids & RFP

2. Prequalification
 If checked, the 2 apparent as read low bidders must file within 24 hours after the letting an "Affidavit of Availability" (Form BC 57) in triplicate, showing all uncompleted contracts awarded to them and all low bids pending award for Federal, State, County, Municipal and private work. One original shall be filed with the Awarding Authority and two originals with the IDOT District Office.
3. The Awarding Authority reserves the right to waive technicalities and to reject any or all proposals as provided in BLRS Special Provision for Bidding Requirements and Conditions for Contract Proposals.
4. The following BLR Forms shall be returned by the bidder to the Awarding Authority:
 - a. Local Public Agency Formal Contract Proposal (BLR 12200)
 - b. Schedule of Prices (BLR 12201)
 - c. Proposal Bid Bond (BLR 12230) (if applicable)
 - d. Apprenticeship or Training Program Certification (BLR 12325) (do not use for project with Federal funds.)
 - e. Affidavit of Illinois Business Office (BLR 12326) (do not use for project with Federal funds)
5. The quantities appearing in the bid schedule are approximate and are prepared for the comparison of bids. Payment to the Contractor will be made only for the actual quantities of work performed and accepted or materials furnished according to the contract. The scheduled quantities of work to be done and materials to be furnished may be increased, decreased or omitted as hereinafter provided.
6. Submission of a bid shall be conclusive assurance and warranty the bidder has examined the plans and understands all requirements for the performance of work. The bidder will be responsible for all errors in the proposal resulting from failure or neglect to conduct an in depth examination. The Awarding Authority will, in no case, be responsible for any costs, expenses, losses or changes in anticipated profits resulting from such failure or neglect of the bidder.
7. The bidder shall take no advantage of any error or omission in the proposal and advertised contract.
8. If a special envelope is supplied by the Awarding Authority, each proposal should be submitted in that envelope furnished by the Awarding Agency and the blank spaces on the envelope shall be filled in correctly to clearly indicate its contents. When an envelope other than the special one furnished by the Awarding Authority is used, it shall be marked to clearly indicate its contents. When sent by mail, the sealed proposal shall be addressed to the Awarding Authority at the address and in care of the official in whose office the bids are to be received. All proposals shall be filed prior to the time and at the place specified in the Notice to Bidders. Proposals received after the time specified will be returned to the bidder unopened.
9. Permission will be given to a bidder to withdraw a proposal if the bidder makes the request in writing or in person before the time for opening proposals.

Local Public Agency	County	Section Number	Route(s) (Street/Road Name)
Village of Oswego	Kendall	24-00000-00-GM	Various Roads

PROPOSAL

1. Proposal of _____ Contractor's Name _____

Contractor's Address _____

2. The plans for the proposed work are those prepared by HR Green, Inc and approved by the Department of Transportation on _____

3. The specifications referred to herein are those prepared by the Department of Transportation and designated as "Standard Specifications for Road and Bridge Construction" and the " Supplemental Specifications and Recurring Special Provisions" thereto, adopted and in effect on the date of invitation for bids.

4. The undersigned agrees to accept, as part of the contract, the applicable Special Provisions indicated on the "Check Sheet for Recurring Special Provisions" contained in this proposal.

5. The undersigned agrees to complete the work within 55 working days or by _____ unless additional time is granted in accordance with the specifications.

6. The successful bidder at the time of execution of the contract will _____ be required to deposit a contract bond for the full amount of the award. When a contract bond is not required, the proposal guaranty check will be held in lieu thereof. If this proposal is accepted and the undersigned fails to execute a contract and contract bond as required, it is hereby agreed that the Bid Bond of check shall be forfeited to the Awarding Authority.

7. Each pay item should have a unit price and a total price. If no total price is shown or if there is a discrepancy between the products of the unit price multiplied by the quantity, the unit price shall govern. If a unit price is omitted, the total price will be divided by the quantity in order to establish a unit price. A bid may be declared unacceptable if neither a unit price nor a total price is shown.

8. The undersigned submits herewith the schedule of prices on BLR 12201 covering the work to be performed under this contract.

9. The undersigned further agrees that if awarded the contract for the sections contained in the combinations on BLR 12201, the work shall be in accordance with the requirements of each individual proposal for the multiple bid specified in the Schedule for Multiple Bids below.

10. A proposal guaranty in the proper amount, as specified in BLRS Special Provision for Bidding Requirements and Conditions for Contract Proposals, will be required. Bid Bonds will _____ be allowed as a proposal guaranty. Accompanying this proposal is either a bid bond, if allowed, on Department form BLR 12230 or a proposal guaranty check, complying with the specifications, made payable to: Village Treasurer of Oswego .

The amount of the check is 5% of Total Bid Amount (_____).

Attach Cashier's Check or Certified Check Here

In the event that one proposal guaranty check is intended to cover two or more bid proposals, the amount must be equal to the sum of the proposal guaranties which would be required for each individual bid proposal. If the proposal guaranty check is placed in another bid proposal, state below where it may be found.

The proposal guaranty check will be found in the bid proposal for: Section Number _____ .

Local Public Agency	County	Section Number	Route(s) (Street/Road Name)
Village of Oswego	Kendall	24-00000-00-GM	Various Roads

CONTRACTOR CERTIFICATIONS

The certifications hereinafter made by the bidder are each a material representation of fact upon which reliance is placed should the Department enter into the contract with the bidder.

1. **Debt Delinquency.** The bidder or contractor or subcontractor, respectively, certifies that it is not delinquent in the payment of any tax administered by the Department of Revenue unless the individual or other entity is contesting, in accordance with the procedure established by the appropriate Revenue Act, its liability for the tax or the amount of the tax. Making a false statement voids the contract and allows the Department to recover all amounts paid to the individual or entity under the contract in a civil action.
2. **Bid-Rigging or Bid Rotating.** The bidder or contractor or subcontractor, respectively, certifies that it is not barred from contracting with the Department by reason of a violation of either 720 ILCS 5/33E-3 or 720 ILCS 5/33E-4.

A violation of section 33E-3 would be represented by a conviction of the crime of bid-rigging which, in addition to Class 3 felony sentencing, provides that any person convicted of this offense, or any similar offense of any state or the United States which contains the same elements as this offense shall be barred for 5 years from the date of conviction from contracting with any unit of State or local government. No corporation shall be barred from contracting with any unit of State or local government as a result of a conviction under this Section of any employee or agent of such corporation if the employee so convicted is no longer employed by the corporation: (1) it has been finally adjudicated not guilty or (2) if it demonstrates to the governmental entity with which it seeks to contract that entity finds that the commission of the offense was neither authorized, requested, commanded, nor performed by a director, officer or a high managerial agent on behalf of the corporation.

A violation of Section 33E-4 would be represented by a conviction of the crime of bid-rotating which, in addition to Class 2 felony sentencing, provides that any person convicted of this offense or any similar offense of any state or the United States which contains the same elements as this offense shall be permanently barred from contracting with any unit of State of Local government. No corporation shall be barred from contracting with any unit of State or Local government as a result of a conviction under this Section of any employee or agent of such corporation if the employee so convicted is no longer employed by the corporation and: (1) it has been finally adjudicated not guilty or (2) if it demonstrates to the governmental entity with which it seeks to contract and that entity finds that the commission of the offense was neither authorized, requested, commanded, nor performed by a director, officer or a high managerial agent on behalf of the corporation.

3. **Bribery.** The bidder or contractor or subcontractor, respectively, certifies that, it has not been convicted of bribery or attempting to bribe an officer or employee of the State of Illinois or any unit of local government, nor has the firm made an admission of guilt of such conduct which is a matter or record, nor has an official, agent, or employee of the firm committed bribery or attempted bribery on behalf of the firm and pursuant to the direction or authorization of a responsible official of the firm.
4. **Interim Suspension or Suspension.** The bidder or contractor or subcontractor, respectively, certifies that it is not currently under a suspension as defined in Subpart I of Title 44 Subtitle A Chapter III Part 6 of the Illinois Administrative code. Furthermore, if suspended prior to completion of this work, the contract or contracts executed for the completion of this work may be canceled.

Local Public Agency	County	Section Number	Route(s) (Street/Road Name)
Village of Oswego	Kendall	24-00000-00-GM	Various Roads

SIGNATURES

(If an individual)

Bidder Signature & Date

Business Address

City

State

Zip Code

(If a partnership)

Firm Name

Signature & Date

Title

Business Address

City

State

Zip Code

Insert the Names and Addresses of all Partners

(If a corporation)

Corporate Name

Signature & Date

Title

Business Address

City

State

Zip Code

Insert Names of Officers

President

Attest:

Secretary

Secretary

Treasurer



Local Public Agency Village of Oswego	County Kendall	Section Number 24-00000-00-GM
--	-------------------	----------------------------------

WE, _____ as PRINCIPAL, and _____ as SURETY, are held jointly,

severally and firmly bound unto the above Local Public Agency (hereafter referred to as "LPA") in the penal sum of 5% of the total bid price, or for the amount specified in the proposal documents in effect on the date of invitation for bids, whichever is the lesser sum. We bind ourselves, our heirs, executors, administrators, successors, and assigns, jointly pay to the LPA this sum under the conditions of this instrument.

WHEREAS THE CONDITION OF THE FOREGOING OBLIGATION IS SUCH that, the said PRINCIPAL is submitting a written proposal to the LPA acting through its awarding authority for the construction of the work designated as the above section.

THEREFORE if the proposal is accepted and a contract awarded to the PRINCIPAL by the LPA for the above designated section and the PRINCIPAL shall within fifteen (15) days after award enter into a formal contract, furnish surety guaranteeing the faithful performance of the work, and furnish evidence of the required insurance coverage, all as provided in the "Standard Specifications for Road and Bridge Construction" and applicable Supplemental Specifications, then this obligation shall become void; otherwise it shall remain in full force and effect.

IN THE EVENT the LPA determines the PRINCIPAL has failed to enter into a formal contract in compliance with any requirements set forth in the preceding paragraph, then the LPA acting through its awarding authority shall immediately be entitled to recover the full penal sum set out above, together with all court costs, all attorney fees, and any other expense of recovery.

IN TESTIMONY WHEREOF, the said PRINCIPAL and the said SURETY have caused this instrument to be signed by their respective officers this _____ of _____ Day Month and Year

Principal

Company Name

Company Name

Signature & Date
By: _____

Signature & Date
By: _____

Title

Title

(If Principal is a joint venture of two or more contractors, the company names, and authorized signatures of each contractor must be affixed.)

Surety

Name of Surety

Signature of Attorney-in-Fact Signature & Date
By: _____

STATE OF IL
COUNTY OF

I _____, a Notary Public in and for said county do hereby certify that

(Insert names of individuals signing on behalf of PRINCIPAL & SURETY)

who are each personally known to me to be the same persons whose names are subscribed to the foregoing instrument on behalf of PRINCIPAL and SURETY, appeared before me this day in person and acknowledged respectively, that they signed and delivered said instruments as their free and voluntary act for the uses and purposes therein set forth.

Given under my hand and notarial seal this _____ day of _____ Month and Year

(SEAL, if required by the LPA)

Notary Public Signature & Date

Date commission expires _____

Local Public Agency

County

Section Number

Village of Oswego

Kendall

24-00000-00-GM

ELECTRONIC BID BOND

Electronic bid bond is allowed (box must be checked by LPA if electronic bid bond is allowed)

The Principal may submit an electronic bid bond, in lieu of completing the above section of the Proposal Bid Bond Form. By providing an electronic bid bond ID code and signing below, the Principal is ensuring the identified electronic bid bond has been executed and the Principal and Surety are firmly bound unto the LPA under the conditions of the bid bond as shown above. (If PRINCIPAL is a joint venture of two or more contractors, an electronic bid bond ID code, company/Bidder name title and date must be affixed for each contractor in the venture.)

Electronic Bid Bond ID Code

--	--	--	--	--	--	--	--	--	--	--	--	--	--	--

Company/Bidder Name

--

Signature & Date

--

Title

--



Local Public Agency	County	Street Name/Road Name	Section Number
Village of Oswego	Kendall	Various Streets	24-00000-00-GM

All contractors are required to complete the following certification

- For this contract proposal or for all bidding groups in this deliver and install proposal.
- For the following deliver and install bidding groups in this material proposal.

Illinois Department of Transportation policy, adopted in accordance with the provisions of the Illinois Highway Code, requires this contract to be awarded to the lowest responsive and responsible bidder. The award decision is subject to approval by the Department. In addition to all other responsibility factors, this contract or deliver and install proposal requires all bidders and all bidder's subcontractors to disclose participation in apprenticeship or training programs that are (1) approved by and registered with the United States Department of Labor's Bureau of Apprenticeship and Training, and (2) applicable to the work of the above indicated proposals or groups. Therefore, all bidders are required to complete the following certification:

1. Except as provided in paragraph 4 below, the undersigned bidder certifies that it is a participant, either as an individual or as part of a group program, in an approved apprenticeship or training program applicable to each type of work or craft that the bidder will perform with its own employees.
2. The undersigned bidder further certifies, for work to be performed by subcontract, that each of its subcontractors either (A) is, at the time of such bid, participating in an approved, applicable apprenticeship or training program; or (B) will, prior to commencement of performance of work pursuant to this contract, establish participation in an approved apprenticeship or training program applicable to the work of the subcontract.
3. The undersigned bidder, by inclusion in the list in the space below, certifies the official name of each program sponsor holding the Certificate of Registration for all of the types of work or crafts in which the bidder is a participant and that will be performed with the bidder's employees. Types of work or craft that will be subcontracted shall be included and listed as subcontract work. The list shall also indicate any type of work or craft job category for which there is no applicable apprenticeship or training program available.

4. Except for any work identified above, if any bidder or subcontractor shall perform all or part of the work of the contract or deliver and install proposal solely by individual owners, partners or members and not by employees to whom the payment of prevailing rates of wages would be required, check the following box, and identify the owner/operator workforces and positions of ownership.

The requirements of this certification and disclosure are a material part of the contract, and the contractor shall require this certification provision to be included in all approved subcontracts. The bidder is responsible for making a complete report and shall make certain that each type of work or craft job category that will be utilized on the project is accounted for and listed. The Department at any time before or afterward may require the production of a copy of each applicable Certificate of Registration issued by the United States Department of Labor evidencing such participation by the contractor and any or all of its subcontractors. In order to fulfill the participation requirement, it shall not be necessary that any applicable program sponsor be currently taking or that it will take applications for apprenticeship, training or employment during the performance of the work of this contract or deliver and install proposal.

Bidder	Signature & Date		
<div style="border: 1px solid black; height: 20px;"></div>	<div style="border: 1px solid black; height: 40px;"></div>		
Title			
<div style="border: 1px solid black; height: 20px;"></div>			
Address	City	State	Zip Code
<div style="border: 1px solid black; height: 20px;"></div>	<div style="border: 1px solid black; height: 20px;"></div>	<div style="border: 1px solid black; height: 20px;"></div>	<div style="border: 1px solid black; height: 20px;"></div>



Affidavit of Illinois Business Office

Local Public Agency	County	Street Name/Road Name	Section Number
Village of Oswego	Kendall	Various Streets	24-00000-00-GM

I, _____ of _____, _____,
Name of Affiant City of Affiant State of Affiant
 being first duly sworn upon oath, state as follows:

1. That I am the _____ of _____.
Officer or Position Bidder
2. That I have personal knowledge of the facts herein stated.
3. That, if selected under the proposal described above, _____, will maintain a business office in the
Bidder
 State of Illinois, which will be located in _____ County, Illinois.
County
4. That this business office will serve as the primary place of employment for any persons employed in the construction contemplated by this proposal.
5. That this Affidavit is given as a requirement of state law as provided in Section 30-22(8) of the Illinois Procurement Code.

Signature & Date

 Print Name of Affiant

Notary Public

State of IL
 County _____

Signed (or subscribed or attested) before me on _____ by _____
(date)
 _____, authorized agent(s) of _____
(name/s of person/s)

Bidder

(SEAL)

Notary Public Signature & Date

My commission expires _____



Bureau of Construction
2300 South Dirksen Parkway/Room 322
Springfield, IL 62764

Instructions: Complete this form by either typing or using black ink. "Authorization to Bid" will not be issued unless both sides of this form are completed in detail. Use additional forms as needed to list all work.

Part I. Work Under Contract

List below all work you have under contract as either a prime contractor or a subcontractor. It is required to include all pending low bids not yet awarded or rejected. In a joint venture, list only that portion of the work which is the responsibility of your company. The uncompleted dollar value is to be based upon the most recent engineer's or owners estimate, and must include work subcontracted to others. If no work is contracted, show NONE.

	1	2	3	4	Awards Pending	Accumulated Totals
Contract Number						
Contract With						
Estimated Completion Date						
Total Contract Price						
Uncompleted Dollar Value if Firm is the Prime Contractor						
Uncompleted Dollar Value if Firm is the Subcontractor						
Total Value of All Work						

Part II. Awards Pending and Uncompleted Work to be done with your own forces.

List below the uncompleted dollar value of work for each contract and awards pending to be completed with your own forces. All work subcontracted to others will be listed on the reverse of this form. In a joint venture, list only that portion of the work to be done by your company. If no work is contracted, show NONE.

Earthwork						
Portland Cement Concrete Paving						
HMA Plant Mix						
HMA Paving						
Clean & Seal Cracks/Joints						
Aggregate Bases, Surfaces						
Highway, R.R., Waterway Struc.						
Drainage						
Electrical						
Cover and Seal Coats						
Concrete Construction						
Landscaping						
Fencing						
Guardrail						
Painting						
Signing						
Cold Milling, Planning, Rotomilling						
Demolition						
Pavement Markings (Paint)						
Other Construction (List)						
Totals						

Disclosure of this information is REQUIRED to accomplish the statutory purpose as outlined in the "Illinois Procurement Code." Failure to comply will result in non-issuance of an "Authorization To Bid." This form has been approved by the State Forms Management Center.

Part III. Work Subcontracted to Others.

For each contract described in Part I, list all the work you have subcontracted to others.

	1	2	3	4	Awards Pending
Subcontractor					
Type of Work					
Subcontract Price					
Amount Uncompleted					
Subcontractor					
Type of Work					
Subcontract Price					
Amount Uncompleted					
Subcontractor					
Type of Work					
Subcontract Price					
Amount Uncompleted					
Subcontractor					
Type of Work					
Subcontract Price					
Amount Uncompleted					
Subcontractor					
Type of Work					
Subcontract Price					
Amount Uncompleted					
Total Uncompleted					

Notary

I, being duly sworn, do hereby declare this affidavit is a true and correct statement relating to ALL uncompleted contracts of the undersigned for Federal, State, County, City and private work, including ALL subcontract work, ALL pending low bids not yet awarded or rejected and ALL estimated completion dates.

Officer or Director

Title

Signature

Date

Company

Address

City

State

Zip Code

Subscribed and sworn to before me

this _____ day of _____, _____

(Signature of Notary Public)

My commission expires _____

(Notary Seal)

Add pages for additional contracts



Affidavit of Availability

For the Letting of

Bureau of Construction
2300 South Dirksen Parkway/Room 322
Springfield, IL 62764

Instructions: Complete this form by either typing or using black ink. "Authorization to Bid" will not be issued unless both sides of this form are completed in detail. Use additional forms as needed to list all work.

Part I. Work Under Contract

List below all work you have under contract as either a prime contractor or a subcontractor. It is required to include all pending low bids not yet awarded or rejected. In a joint venture, list only that portion of the work which is the responsibility of your company. The uncompleted dollar value is to be based upon the most recent engineer's or owners estimate, and must include work subcontracted to others. If no work is contracted, show NONE.

	1	2	3	4	Awards Pending	Accumulated Totals
Contract Number						
Contract With						
Estimated Completion Date						
Total Contract Price						
Uncompleted Dollar Value if Firm is the Prime Contractor						
Uncompleted Dollar Value if Firm is the Subcontractor						
Total Value of All Work						

Part II. Awards Pending and Uncompleted Work to be done with your own forces.

List below the uncompleted dollar value of work for each contract and awards pending to be completed with your own forces. All work subcontracted to others will be listed on the reverse of this form. In a joint venture, list only that portion of the work to be done by your company. If no work is contracted, show NONE.

Earthwork						
Portland Cement Concrete Paving						
HMA Plant Mix						
HMA Paving						
Clean & Seal Cracks/Joints						
Aggregate Bases, Surfaces						
Highway, R.R., Waterway Struc.						
Drainage						
Electrical						
Cover and Seal Coats						
Concrete Construction						
Landscaping						
Fencing						
Guardrail						
Painting						
Signing						
Cold Milling, Planning, Rotomilling						
Demolition						
Pavement Markings (Paint)						
Other Construction (List)						
Totals						

Disclosure of this information is REQUIRED to accomplish the statutory purpose as outlined in the "Illinois Procurement Code." Failure to comply will result in non-issuance of an "Authorization To Bid." This form has been approved by the State Forms Management Center.

Part III. Work Subcontracted to Others.

For each contract described in Part I, list all the work you have subcontracted to others.

	2	3	4	Awards Pending	1
Subcontractor					
Type of Work					
Subcontract Price					
Amount Uncompleted					
Subcontractor					
Type of Work					
Subcontract Price					
Amount Uncompleted					
Subcontractor					
Type of Work					
Subcontract Price					
Amount Uncompleted					
Subcontractor					
Type of Work					
Subcontract Price					
Amount Uncompleted					
Subcontractor					
Type of Work					
Subcontract Price					
Amount Uncompleted					
Total Uncompleted					

Notary

I, being duly sworn, do hereby declare this affidavit is a true and correct statement relating to ALL uncompleted contracts of the undersigned for Federal, State, County, City and private work, including ALL subcontract work, ALL pending low bids not yet awarded or rejected and ALL estimated completion dates.

Officer or Director

Title

Signature

Date

Company

Address

City

State

Zip Code

Subscribed and sworn to before me

this _____ day of _____, _____

(Signature of Notary Public)

My commission expires _____

(Notary Seal)

Add pages for additional contracts



Bureau of Construction
2300 South Dirksen Parkway/Room 322
Springfield, IL 62764

Instructions: Complete this form by either typing or using black ink. "Authorization to Bid" will not be issued unless both sides of this form are completed in detail. Use additional forms as needed to list all work.

Part I. Work Under Contract

List below all work you have under contract as either a prime contractor or a subcontractor. It is required to include all pending low bids not yet awarded or rejected. In a joint venture, list only that portion of the work which is the responsibility of your company. The uncompleted dollar value is to be based upon the most recent engineer's or owners estimate, and must include work subcontracted to others. If no work is contracted, show NONE.

	1	2	3	4	Awards Pending	Accumulated Totals
Contract Number						
Contract With						
Estimated Completion Date						
Total Contract Price						
Uncompleted Dollar Value if Firm is the Prime Contractor						
Uncompleted Dollar Value if Firm is the Subcontractor						
Total Value of All Work						

Part II. Awards Pending and Uncompleted Work to be done with your own forces.

List below the uncompleted dollar value of work for each contract and awards pending to be completed with your own forces. All work subcontracted to others will be listed on the reverse of this form. In a joint venture, list only that portion of the work to be done by your company. If no work is contracted, show NONE.

Earthwork						
Portland Cement Concrete Paving						
HMA Plant Mix						
HMA Paving						
Clean & Seal Cracks/Joints						
Aggregate Bases, Surfaces						
Highway, R.R., Waterway Struc.						
Drainage						
Electrical						
Cover and Seal Coats						
Concrete Construction						
Landscaping						
Fencing						
Guardrail						
Painting						
Signing						
Cold Milling, Planning, Rotomilling						
Demolition						
Pavement Markings (Paint)						
Other Construction (List)						
Totals						

Disclosure of this information is REQUIRED to accomplish the statutory purpose as outlined in the "Illinois Procurement Code." Failure to comply will result in non-issuance of an "Authorization To Bid." This form has been approved by the State Forms Management Center.

Part III. Work Subcontracted to Others.

For each contract described in Part I, list all the work you have subcontracted to others.

	1	2	3	4	Awards Pending
Subcontractor					
Type of Work					
Subcontract Price					
Amount Uncompleted					
Subcontractor					
Type of Work					
Subcontract Price					
Amount Uncompleted					
Subcontractor					
Type of Work					
Subcontract Price					
Amount Uncompleted					
Subcontractor					
Type of Work					
Subcontract Price					
Amount Uncompleted					
Subcontractor					
Type of Work					
Subcontract Price					
Amount Uncompleted					
Total Uncompleted					

Notary

I, being duly sworn, do hereby declare this affidavit is a true and correct statement relating to ALL uncompleted contracts of the undersigned for Federal, State, County, City and private work, including ALL subcontract work, ALL pending low bids not yet awarded or rejected and ALL estimated completion dates.

Officer or Director

Title

Signature

Date

Company

Address

City

State

Zip Code

Subscribed and sworn to before me

this _____ day of _____, _____

(Signature of Notary Public)

My commission expires _____

(Notary Seal)

Add pages for additional contracts



Affidavit of Availability

For the Letting of

Bureau of Construction
2300 South Dirksen Parkway/Room 322
Springfield, IL 62764

Instructions: Complete this form by either typing or using black ink. "Authorization to Bid" will not be issued unless both sides of this form are completed in detail. Use additional forms as needed to list all work.

Part I. Work Under Contract

List below all work you have under contract as either a prime contractor or a subcontractor. It is required to include all pending low bids not yet awarded or rejected. In a joint venture, list only that portion of the work which is the responsibility of your company. The uncompleted dollar value is to be based upon the most recent engineer's or owners estimate, and must include work subcontracted to others. If no work is contracted, show NONE.

	1	2	3	4	Awards Pending	Accumulated Totals
Contract Number						
Contract With						
Estimated Completion Date						
Total Contract Price						
Uncompleted Dollar Value if Firm is the Prime Contractor						
Uncompleted Dollar Value if Firm is the Subcontractor						
Total Value of All Work						

Part II. Awards Pending and Uncompleted Work to be done with your own forces.

List below the uncompleted dollar value of work for each contract and awards pending to be completed with your own forces. All work subcontracted to others will be listed on the reverse of this form. In a joint venture, list only that portion of the work to be done by your company. If no work is contracted, show NONE.

Earthwork						
Portland Cement Concrete Paving						
HMA Plant Mix						
HMA Paving						
Clean & Seal Cracks/Joints						
Aggregate Bases, Surfaces						
Highway, R.R., Waterway Struc.						
Drainage						
Electrical						
Cover and Seal Coats						
Concrete Construction						
Landscaping						
Fencing						
Guardrail						
Painting						
Signing						
Cold Milling, Planning, Rotomilling						
Demolition						
Pavement Markings (Paint)						
Other Construction (List)						
Totals						

Disclosure of this information is REQUIRED to accomplish the statutory purpose as outlined in the "Illinois Procurement Code." Failure to comply will result in non-issuance of an "Authorization To Bid." This form has been approved by the State Forms Management Center.

Part III. Work Subcontracted to Others.

For each contract described in Part I, list all the work you have subcontracted to others.

	1	2	3	4	Awards Pending
Subcontractor					
Type of Work					
Subcontract Price					
Amount Uncompleted					
Subcontractor					
Type of Work					
Subcontract Price					
Amount Uncompleted					
Subcontractor					
Type of Work					
Subcontract Price					
Amount Uncompleted					
Subcontractor					
Type of Work					
Subcontract Price					
Amount Uncompleted					
Subcontractor					
Type of Work					
Subcontract Price					
Amount Uncompleted					
Total Uncompleted					

Notary

I, being duly sworn, do hereby declare this affidavit is a true and correct statement relating to ALL uncompleted contracts of the undersigned for Federal, State, County, City and private work, including ALL subcontract work, ALL pending low bids not yet awarded or rejected and ALL estimated completion dates.

Officer or Director

Title

Signature

Date

Company

Address

City

State

Zip Code

Subscribed and sworn to before me

this _____ day of _____, _____

(Signature of Notary Public)

My commission expires _____

(Notary Seal)

Add pages for additional contracts



Affidavit of Availability

For the Letting of

Bureau of Construction
2300 South Dirksen Parkway/Room 322
Springfield, IL 62764

Instructions: Complete this form by either typing or using black ink. "Authorization to Bid" will not be issued unless both sides of this form are completed in detail. Use additional forms as needed to list all work.

Part I. Work Under Contract

List below all work you have under contract as either a prime contractor or a subcontractor. It is required to include all pending low bids not yet awarded or rejected. In a joint venture, list only that portion of the work which is the responsibility of your company. The uncompleted dollar value is to be based upon the most recent engineer's or owners estimate, and must include work subcontracted to others. If no work is contracted, show NONE.

	1	2	3	4	Awards Pending	Accumulated Totals
Contract Number						
Contract With						
Estimated Completion Date						
Total Contract Price						
Uncompleted Dollar Value if Firm is the Prime Contractor						
Uncompleted Dollar Value if Firm is the Subcontractor						
Total Value of All Work						

Part II. Awards Pending and Uncompleted Work to be done with your own forces.

List below the uncompleted dollar value of work for each contract and awards pending to be completed with your own forces. All work subcontracted to others will be listed on the reverse of this form. In a joint venture, list only that portion of the work to be done by your company. If no work is contracted, show NONE.

Earthwork						
Portland Cement Concrete Paving						
HMA Plant Mix						
HMA Paving						
Clean & Seal Cracks/Joints						
Aggregate Bases, Surfaces						
Highway, R.R., Waterway Struc.						
Drainage						
Electrical						
Cover and Seal Coats						
Concrete Construction						
Landscaping						
Fencing						
Guardrail						
Painting						
Signing						
Cold Milling, Planning, Rotomilling						
Demolition						
Pavement Markings (Paint)						
Other Construction (List)						
Totals						

Disclosure of this information is REQUIRED to accomplish the statutory purpose as outlined in the "Illinois Procurement Code." Failure to comply will result in non-issuance of an "Authorization To Bid." This form has been approved by the State Forms Management Center.

Part III. Work Subcontracted to Others.

For each contract described in Part I, list all the work you have subcontracted to others.

	1	2	3	4	Awards Pending
Subcontractor					
Type of Work					
Subcontract Price					
Amount Uncompleted					
Subcontractor					
Type of Work					
Subcontract Price					
Amount Uncompleted					
Subcontractor					
Type of Work					
Subcontract Price					
Amount Uncompleted					
Subcontractor					
Type of Work					
Subcontract Price					
Amount Uncompleted					
Subcontractor					
Type of Work					
Subcontract Price					
Amount Uncompleted					
Total Uncompleted					

Notary

I, being duly sworn, do hereby declare this affidavit is a true and correct statement relating to ALL uncompleted contracts of the undersigned for Federal, State, County, City and private work, including ALL subcontract work, ALL pending low bids not yet awarded or rejected and ALL estimated completion dates.

Officer or Director

Title

Signature

Date

Company

Address

City

State

Zip Code

Subscribed and sworn to before me

this _____ day of _____, _____

(Signature of Notary Public)

My commission expires _____

(Notary Seal)



Local Public Agency	County	Section Number
Village of Oswego	Kendall	24-00000-00-GM

Check this box for lettings prior to 01/01/2023.

The Following Recurring Special Provisions Indicated By An "X" Are Applicable To This Contract And Are Included By Reference:

Recurring Special Provisions

<u>Check Sheet #</u>		<u>Page No.</u>
1	<input type="checkbox"/> Additional State Requirements for Federal-Aid Construction Contracts	53
2	<input type="checkbox"/> Subletting of Contracts (Federal-Aid Contracts)	56
3	<input type="checkbox"/> EEO	57
4	<input type="checkbox"/> Specific EEO Responsibilities Non Federal-Aid Contracts	67
5	<input type="checkbox"/> Required Provisions - State Contracts	72
6	<input type="checkbox"/> Asbestos Bearing Pad Removal	78
7	<input type="checkbox"/> Asbestos Waterproofing Membrane and Asbestos HMA Surface Removal	79
8	<input type="checkbox"/> Temporary Stream Crossings and In-Stream Work Pads	80
9	<input type="checkbox"/> Construction Layout Stakes	81
10	<input type="checkbox"/> Use of Geotextile Fabric for Railroad Crossing	84
11	<input type="checkbox"/> Subsealing of Concrete Pavements	86
12	<input type="checkbox"/> Hot-Mix Asphalt Surface Correction	90
13	<input type="checkbox"/> Pavement and Shoulder Resurfacing	92
14	<input type="checkbox"/> Patching with Hot-Mix Asphalt Overlay Removal	93
15	<input type="checkbox"/> Polymer Concrete	95
16	<input type="checkbox"/> Reserved	97
17	<input type="checkbox"/> Bicycle Racks	98
18	<input type="checkbox"/> Temporary Portable Bridge Traffic Signals	100
19	<input type="checkbox"/> Nighttime Inspection of Roadway Lighting	102
20	<input type="checkbox"/> English Substitution of Metric Bolts	103
21	<input type="checkbox"/> Calcium Chloride Accelerator for Portland Cement Concrete	104
22	<input type="checkbox"/> Quality Control of Concrete Mixtures at the Plant	105
23	<input checked="" type="checkbox"/> Quality Control/Quality Assurance of Concrete Mixtures	113
24	<input type="checkbox"/> Reserved	129
25	<input type="checkbox"/> Reserved	130
26	<input type="checkbox"/> Temporary Raised Pavement Markers	131
27	<input type="checkbox"/> Restoring Bridge Approach Pavements Using High-Density Foam	132
28	<input type="checkbox"/> Portland Cement Concrete Inlay or Overlay	135
29	<input type="checkbox"/> Portland Cement Concrete Partial Depth Hot-Mix Asphalt Patching	139
30	<input type="checkbox"/> Longitudinal Joint and Crack Patching	142
31	<input type="checkbox"/> Concrete Mix Design - Department Provided	144
32	<input type="checkbox"/> Station Numbers in Pavements or Overlays	145

Local Public Agency

County

Section Number

Village of Oswego

Kendall

24-00000-00-GM

The Following Local Roads And Streets Recurring Special Provisions Indicated By An "X" Are Applicable To This Contract And Are Included By Reference:

Local Roads And Streets Recurring Special Provisions

<u>Check Sheet #</u>		<u>Page No.</u>
LRS 1	Reserved	147
LRS 2	<input type="checkbox"/> Furnished Excavation	148
LRS 3	<input checked="" type="checkbox"/> Work Zone Traffic Control Surveillance	149
LRS 4	<input checked="" type="checkbox"/> Flaggers in Work Zones	150
LRS 5	<input type="checkbox"/> Contract Claims	151
LRS 6	<input checked="" type="checkbox"/> Bidding Requirements and Conditions for Contract Proposals	152
LRS 7	<input type="checkbox"/> Bidding Requirements and Conditions for Material Proposals	158
LRS 8	Reserved	164
LRS 9	<input type="checkbox"/> Bituminous Surface Treatments	165
LRS 10	Reserved	169
LRS 11	<input checked="" type="checkbox"/> Employment Practices	170
LRS 12	<input checked="" type="checkbox"/> Wages of Employees on Public Works	172
LRS 13	<input checked="" type="checkbox"/> Selection of Labor	174
LRS 14	<input type="checkbox"/> Paving Brick and Concrete Paver Pavements and Sidewalks	175
LRS 15	<input checked="" type="checkbox"/> Partial Payments	178
LRS 16	<input checked="" type="checkbox"/> Protests on Local Lettings	179
LRS 17	<input checked="" type="checkbox"/> Substance Abuse Prevention Program	180
LRS 18	<input type="checkbox"/> Multigrade Cold Mix Asphalt	181
LRS 19	<input type="checkbox"/> Reflective Crack Control Treatment	182



Local Public Agency	County	Section Number
Village of Oswego	Kendall	24-00000-00-GM

The following Special Provision supplement the "Standard Specifications for Road and Bridge Construction", adopted

January 1, 2022, the latest edition of the "Manual on Uniform Traffic Control Devices for Streets and Highways", and the "Manual of Test Procedures of Materials" in effect on the date of invitation of bids, and the Supplemental Specification and Recurring Special Provisions indicated on the Check Sheet included here in which apply to and govern the construction of the above named section, and in case of conflict with any parts, or parts of said Specifications, the said Special Provisions shall take precedence and shall govern.

LOCATION OF WORK

This project consists of the resurfacing of various roads and streets in the Village of Oswego as shown on the location maps and in the project summary. The total length of the improvement is 22,945 feet.

DESCRIPTION OF WORK

The work shall include, but not limited to, hot-mix asphalt surface course, polymerized hot-mix asphalt binder course, PCC Pavement Removal and HMA replacement, combination concrete curb and gutter removal and replacement, pavement patching, sidewalk removal and replacement, and all incidental and collateral work necessary to complete the project as described herein.

INDEX OF SPECIAL PROVISIONS

LOCATION OF PROJECT	1
DESCRIPTION OF PROJECT	1
MAINTENANCE OF ROADWAYS	1
WORKING DAYS	1
REDUCTION IN THE SCOPE OF WORK	1
PROSECUTION OF WORK AND LIQUIDATED DAMAGES	2
OVERNIGHT PARKING OF EQUIPMENT	2
SAW CUTS AT DRIVEWAYS	2
WORK NEAR SCHOOL ZONES	3
TRAFFIC CONTROL AND PROTECTION	3
MOBILIZATION	4
SEQUENCE OF CONSTRUCTION	4
PCC PAVEMENT REMOVAL AND HMA REPLACEMENT, SPECIAL	4
PIPE UNDERDRAINS (SPECIAL)	5
PAVEMENT PATCHING (SPECIAL)	5
HOT-MIX ASPHALT SURFACE REMOVAL, BUTT JOINT	6
CLASS D PATCHES	6
AGGREGATE BASE COURSE REMOVAL & REPLACEMENT, 12 INCH	7
PORTLAND CEMENT CONCRETE SIDEWALK REMOVAL AND REPLACEMENT	7
DETECTABLE WARNINGS	8
COMBINATION CONCRETE CURB AND GUTTER REMOVAL AND REPLACEMENT	8
DRAINAGE AND UTILITY STRUCTURES TO BE ADJUSTED	9
DRAINAGE AND UTILITY STRUCTURES TO BE RECONSTRUCTED	10
HOT-MIX ASPHALT BINDER AND SURFACE COURSE	10
LOCAL ROADS SPECIAL PROVISIONS	
BDE SPECIAL PROVISIONS	

SPECIAL PROVISIONS

**VILLAGE OF OSWEGO
KENDALL COUNTY
SECTION NUMBER: 24-00000-00-GM**

The following Special Provisions supplement the "Standard Specifications for Road and Bridge Construction," adopted January 1, 2022, the latest edition of the "Manual on Uniform Traffic Control Devices for Streets and Highways", and the "Manual of Test Procedures of Materials" in effect on the date of invitation for bids, and the Supplemental Specification and Recurring Special Provisions indicated on the Check Sheet included here in which apply to and govern the construction of the above named section, and in case of conflict with any parts, or parts of said Specifications, the said Special Provisions shall take precedence and shall govern.

LOCATION OF PROJECT

The project is located within the Village of Oswego, Kendall County, Illinois as shown on the location maps and in the project summary. The net and gross length of the project is 22,945 feet.

DESCRIPTION OF PROJECT

The work shall include, but not limited to, hot-mix asphalt surface course, polymerized hot-mix asphalt binder course, PCC pavement removal and HMA replacement, combination concrete curb and gutter removal and replacement, pavement patching, sidewalk removal and replacement, and all incidental and collateral work necessary to complete the project as described herein.

MAINTENANCE OF ROADWAYS

Beginning on the date that work begins on this project, the Contractor shall assume responsibility for normal maintenance of all existing roadways within the limits of the improvement. This normal maintenance shall include all repair work deemed necessary by the Engineer but shall not include snow removal operations. Traffic control and protection for maintenance of roadways will be provided by the Contractor as required by the Engineer.

If items of work have not been provided in the contract, or otherwise specified for payment, such items, including the accompanying traffic control and protection required by the Engineer, will be paid for in accordance with Article 109.04 of the Standard Specifications.

WORKING DAYS

The Contractor shall complete the work within 55 working days. If the Contractor fails to complete the work within the above-specified timeframe, provisions of Article 108.09 of the Standard Specifications will be strictly adhered to for liquidated damages.

REDUCTION IN THE SCOPE OF WORK

The Project Summary is a listing of work to be completed. However, due to budgetary constraints the awarding authority reserves the right to reduce the scope of work to be completed under the contract in accordance with Article 104.02 of the Standard Specifications.

No allowance will be made for delay or anticipated profits as the result of a decrease in the quantities of work to be performed or the reduction in asphalt thickness up to a half inch (1/2").

PROSECUTION OF WORK AND LIQUIDATED DAMAGES

The contractor is advised that timely completion of each individual work location, as well as the entire project, is essential. To that end, the contractor shall adhere to the following criteria which applies to removal, replacement and/or restoration work related to the work items of curb and gutter, sidewalk, HMA surface removal and HMA resurfacing:

- 1) Once a work item has begun at a particular location and is to a point that a successive work item can begin, the subsequent work item, exclusive of pavement markings, shall commence within 1 week of that date, unless otherwise allowed by the Engineer. That date shall be determined by the Engineer, and the above timeframe shall apply to all work items within a specific work location.
- 2) The contractor shall initiate daily communication with the Engineer, or as otherwise allowed by the Engineer, to discuss work scheduling and other related details.
- 3) Work which directly affects resident driveway access shall be coordinated by the contractor so that the resident is provided 24-hour notice of the work. No work directly affecting resident access shall be allowed until such notice is provided.

Unless directed otherwise by the engineer, timing of subsequent work shall be as stated below:

CONCRETE WORK

- 1) Any work directly affecting reopening a driveway to unobstructed access shall be completed within 6 successive days, from removal through concrete curing.
- 2) Excavations shall be brought up to grade within 1 (one) week of concrete placement.
- 3) Restoration shall occur within 3 (three) weeks of concrete placement, unless prevented by restrictive weather requirements. If precluded by weather, restoration shall commence as soon as allowed by specification.
- 4) Drums, barricades, and signage shall be removed from residential areas within 1 week of backfilling.

The time periods provided above are intended to allow timely completion of work within an individual work location. Failure to comply with any of the above criteria at individual work locations shall result in liquidated damages being assessed, separately, for each of the work locations, in accordance with Article 108.09 of the Standard Specifications.

OVERNIGHT PARKING OF EQUIPMENT

The contractor will be allowed overnight parking for milling machines, pavers, rollers, and other equipment used in the work, on a nearby street within the Village of Oswego, provided

- 1) the equipment is adequately protected by traffic control devices, as necessary and
- 2) the contractor provides the location to the Engineer by the end of the workday.

Such equipment shall be removed from that location within 36 hours. Failure to remove the equipment within this timeframe shall result in an immediate traffic control deficiency being assessed in accordance with Article 105.03 of the Standard Specifications.

SAW CUTS AT DRIVEWAYS

The contractor must actively avoid damage to existing residential driveways adjacent to the work. Prior to any removal of any curb and gutter or sidewalk which abuts a residential driveway, the contractor shall first provide a separation, by means of a full depth saw cut along the entire length of the removal. The contractor is advised that alternate removal methods, including hand removal, may also be necessary at these locations to not damage any existing driveway elements to remain. Any work required to repair driveway damage is incidental to the contract and the contractor shall be responsible for the satisfactory repair of any driveway damage.

WORK NEAR SCHOOL ZONES

The contractor shall complete all work, including permanent pavement marking at the following locations by August 15, 2024 (start of school):

- Bluegrass Parkway
- Fifth Street
- Waterbury Circle

Final landscaping may not be able to be completed due to weather restrictions; however, all drop-offs at these streets shall be eliminated prior to this date.

TRAFFIC CONTROL AND PROTECTION

All roads shall be kept open to traffic. The Contractor should take particular note of the applicable portions of Article 107.14 of the Standard Specifications. All signs, except those referring to daily lane closures, shall be post mounted in accordance with Standard 701901 for all projects that exceed four-day duration. Construction signs referring to daytime lane closures during working hours shall be removed, covered, or turned away from the view of the motorists during non-working hours.

The Contractor shall furnish, erect, maintain and remove all signs, barricades, flaggers and other traffic control devices as may be necessary for the purpose of regulating, warning or guiding traffic. Placement and maintenance of all traffic control devices shall be in accordance with the applicable parts of Section 701 of the Standard Specifications, the Illinois Manual on Uniform Traffic Control Devices for Streets and Highways and the Highway Standard contained herein.

Special attention is called to Article 107.09 and Section 701 of the Standard Specifications and the following Highways Standards, Supplemental Specifications, Details, Quality Standard for Work Zone Traffic Control Devices, Recurring Special Provisions, and Special Provisions contained herein relating to traffic control. It should be noted that Type I or Type II barricades will be required adjacent to the pavement in areas where a drop off is 3" or more in accordance with Article 701.07.

Standards

701501, 701901, and BLR 17-4

Special Provisions

Maintenance of Roadways, Supplemental Signage
Work Zone Traffic Control (LRS#3), Flaggers in Work Zones (LRS#4)

The Contractor shall contact the Village of Oswego at least 72 hours in advance of beginning work. Construction operations shall be conducted in a manner such that streets will remain open to traffic at all times, and access to abutting property shall be maintained.

The Contractor shall be responsible for providing a proposed scheduling, phasing and traffic control plan. The Village will review these plans and provide the contractor with any necessary modifications in writing. The Contractor will then be responsible for incorporating these changes into the proposed scheduling, phasing, and traffic control plan.

At the preconstruction meeting, the Contractor shall furnish the name and telephone number where he may be reached during non-working hours of the individual in his direct employ that is to be responsible for the installation and maintenance of the traffic control of this project. If the actual installation and maintenance are to be accomplished by a subcontractor, consent shall be requested of the Engineer at the time of the preconstruction meeting in accordance with Article 108.01 of the Standard Specifications. This shall not relieve the Contractor of the requirements to have a responsible individual in his direct employ supervise this work.

This work will be paid for at the contract LUMP SUM price for TRAFFIC CONTROL AND PROTECTION.

MOBILIZATION

This Contract contains no provisions for Mobilization. Therefore, Section 671 of the Standard Specifications is deleted.

SEQUENCE OF CONSTRUCTION

The Contractor shall be responsible for staging the construction of the mainline roadways and driveways to allow the ingress and egress of resident vehicles and maintain access for emergency vehicles.

In general the following is the anticipated sequence of construction:

Waterbury Circle

The sequence of construction shall be staged so that at least one lane of traffic is open at all times during construction of the pavement:

1. North intersection at Ogden Falls Blvd to west of Primrose Lane
2. West of Primrose Lane to Alex Court
3. Alex Court to north of Dylan Drive
4. North of Dylan Drive to south intersection at Ogden Falls Blvd

The Contractor shall complete all work on the above roadway up to the binder course by August 15, 2024 and then follow up with placement of the final surface course within 5 days. The Contractor will be allowed to modify the sequence of construction and planned schedule by submitting their proposed plan for approval by the Engineer at least 72 hours in advance of the starting work. Any additional signs and extra effort required by the Contractor to stage the construction will be included in the cost of TRAFFIC CONTROL AND PROTECTION.

PCC PAVEMENT REMOVAL AND HMA REPLACEMENT, SPECIAL

This work shall consist of the complete removal of the existing concrete pavement to the thickness of 6" over the full width of the roadway as shown in the project summary and shall be done in accordance with the applicable portions of Article 406 and 440 of the Standard Specifications. It is anticipated that the entire concrete pavement will be removed and exposing the base course. The Contractor shall saw cut the pavement full depth at the edge of the gutter flag prior to the pavement removal. Any damage done to the existing curb and gutter to remain shall be repaired and restored at the Contractor's expense. The intent is to keep the existing aggregate base course intact so the Contractor shall take extra care during pavement removal operations.

It is the intent to remove the entire concrete pavement as required, to provide a proper surface for resurfacing without raising the present crown of the road. The average depth to be removed is 6" as shown on the plans, however, no additional compensation will be granted for removal of the concrete pavement for variance in thickness or excavation and disposal of excess material. The method of performing this work shall be reviewed with and acceptable to the Engineer.

The hot-mix asphalt replacement shall be completed in accordance with Section 406 of the Standard Specifications and all required Bituminous Materials(prime Coat) applications shall also be included in the cost of this item. The replacement hot-mix asphalt section shall be:

- 2" of HOT-MIX ASPHALT SURFACE COURSE, IL-9.5, MIX 'D', N50
- 4" of HOT-MIX ASPHALT BINDER COURSE, IL-19.0, N50

Pavement Removal and HMA Replacement shall be measured in place and the area computed in square yards. This work will be paid for at the contract unit price per SQUARE YARD for PCC PAVEMENT REMOVAL AND HMA REPLACEMENT, SPECIAL. **Saw cutting full depth for the removal of the pavement shall be considered included in the cost of this pay item**

PREPARATION OF BASE, SPECIAL

This work shall be performed in the areas of concrete pavement removal on the streets shown in the Project Summary sheet and as directed by the Engineer. This work will be done in accordance with Section 358 of the Standard Specifications.

All areas in the roadway that are generally loose aggregate shall be shaped, water added if necessary, and compacted to the satisfaction of the Engineer. It will be necessary to grade and shape the existing aggregate base course in order to establish the proposed base course elevation. The Contractor may be required to add additional aggregate material (crushed gravel or crushed stone) to the existing base to bring the base course to the proper grade. The material and construction shall conform to Section 351 of the Standard Specifications. The additional material will be paid for separately per TON for AGGREGATE BASE COURSE, TYPE B.

Proof-rolling with a 45,000-pound, rubber-tired vehicle in the presence of the Engineer shall be required to demonstrate that the base is firm and in proper condition for resurfacing.

Base or subgrade repairs needed at this time shall be marked and measured for payment by the Engineer and shall be paid for at the contract unit price per square yard for AGGREGATE BASE COURSE REMOVAL AND REPLACEMENT, 12 INCH.

The Contractor will be required to resurface the area within 10 calendar days of the completion of this operation; failure to do so shall result in a charge of \$1,000 per each calendar day over the above specified time.

This work will be measured and paid for at the contract unit price per SQUARE YARD for PREPARATION OF BASE, SPECIAL, which price shall include preparation of base and removal of excess material. The removal and replacement of unsuitable material shall be paid for separately as AGGREGATE BASE COURSE REMOVAL AND REPLACEMENT, 12 INCH.

PIPE UNDERDRAINS (SPECIAL)

This work shall consist of the installation of transverse pipe underdrains and necessary storm sewer connections per the direction of the Engineer and in accordance with Section 601 of the Standard Specifications.

Pipe Underdrains (Special) shall consist of the installation of 4" diameter fabric encased pipe underdrains at existing storm structures at the discretion of the Engineer. The pipe underdrain will be installed transverse to the direction of traffic and connections to existing structures is included in the cost of this item. The structures shall be cored, and the connection shall be secured to the satisfaction of the Engineer.

This work will be paid for at the contract unit price per FOOT for PIPE UNDERDRAINS, TYPE 1, of the diameter specified, (SPECIAL) which price shall include all necessary materials and equipment, along with coring and connections to existing structures.

PAVEMENT PATCHING (SPECIAL)

This work shall consist of patching to the specified thickness per the direction of the Engineer in accordance with Sections 406 and 440 of the Standard Specifications, except for the four types namely Type I, II, III & IV are combined under this pay item.

Pavement Patching (Special) shall consist of removing the asphalt surface to a sufficient depth to place 3 inches (3") of Hot-Mix Asphalt Surface Course, IL-9.5, N50. The average depth to be removed is as shown on the plans, however, no additional compensation will be granted for removal of asphalt surface for variance in thickness or excavation and disposal of excess material. Excess material resulting from removal

operations shall be hauled away at the contractor's expense. The application of prime coat for the subsequent HMA surface course is included in the cost of Pavement Patching.

Pavement Patching shall be measured in place and the area computed in square yards. This work will be paid for at the contract unit price per SQUARE YARD for PAVEMENT PATCHING, of the specified depth, (SPECIAL). Saw cutting and application of tack coat shall be included in the cost of this item. The Contractor will be required to construct all surface course lifts within 5 calendar days; failure to do so shall result in a charge of \$1,000 per each calendar day over the above specified time.

HOT-MIX ASPHALT SURFACE REMOVAL, BUTT JOINT

When HOT-MIX ASPHALT SURFACE REMOVAL is to be performed under traffic, the Contractor shall provide and maintain temporary asphalt ramps at both the upstream and downstream ends of the pavement area removed. The temporary ramps shall be constructed immediately upon completion of the removal operation by leveling and filling with bituminous material, as necessary. Ramps shall have a minimum taper rate of three feet (3') per one inch (1") of thickness and shall be removed prior to placing the proposed surface course. Temporary ramps will not be paid for separately but shall be considered in the bid price per square yard for Hot-Mix Asphalt Surface Removal.

HOT-MIX ASPHALT SURFACE REMOVAL, BUTT JOINT consists of constructing butt joints for a satisfactory transition between pavement being resurfaced and pavement remaining at existing grade and shall be accomplished in accordance with the applicable portions of Article 406.08 and Section 440 of the Standard Specifications and the details included herein. Should any pavement be damaged by removal operations sufficient to warrant replacement, in the Engineer's judgment, the Contractor shall replace it in kind for no additional payment.

HOT-MIX ASPHALT SURFACE REMOVAL shall be measured in place and the area computed in square yards. This work will be paid for at the contract unit price per SQUARE YARD for HOT-MIX ASPHALT SURFACE REMOVAL, BUTT JOINT. Saw cutting shall be considered included in this pay item.

This work will be paid for at the contract unit price per SQUARE YARD for HOT-MIX ASPHALT SURFACE REMOVAL VARIABLE DEPTH, which price shall include all equipment, and labor required to complete the work as specified above

CLASS D PATCHES

This work shall conform to the appropriate articles of Section 442 of the Standard Specification, except that the four types namely type I, II, III and IV are combined under this pay item. Each patch is to have a full depth saw cut and then be removed. Saw cutting of the patches and removal of the existing pavement, including subbase is to be included in the cost of this item. All patches depressed more than 3" than the surface of the surrounding asphalt shall be marked with Type II barricades for no longer than 48 hours. Leveling binder shall be used to ramp the edges of the patches after this time has expired. The cost of the leveling binder used to ramp the edges of the patch shall be included in the cost of the patch.

Patches will be measured in place and the area computed in square yards. If additional pavement or sub-grade is removed due to negligence on the part of the Contractor, the additional quantity of pavement removal and replacement or sub-grade material will not be measured for payment.

Where unsuitable material is encountered in the sub-grade, the removal and replacement shall be performed by the Contractor and shall be paid for at the contract unit price per SQUARE YARD for AGGREGATE BASE COURSE REMOVAL AND REPLACEMENT, 12 INCH.

Basis of Payment. This work will be paid for at the contract unit price per SQUARE YARD for CLASS D PATCHES, of the specified thickness.

AGGREGATE BASE COURSE REMOVAL & REPLACEMENT, 12 INCH

This work shall consist of the removal of the existing aggregate base course to a minimum depth of 12 inches (12"), disposal of surplus material, compacting the subgrade and installation of Aggregate Base Course, gradations CA 2 to a compacted thickness of 9 Inches, and a capping lift of 3 Inches of Aggregate material meeting the gradation of CA-6 either crushed gravel or crushed stone. The total minimum compacted thickness shall be 12 inches (12"). This work shall be done in accordance with the applicable articles of Section 303, 351, and 10004.07 of the Standard Specifications. This item shall also be used for subgrade removal and replacement.

After the subgrade has been brought to a smooth grade and proper shape, it shall be compacted by use of vibratory rollers and/or compactors.

This work will be paid for at the contract unit price per SQUARE YARD for AGGREGATE BASE COURSE REMOVAL AND REPLACEMENT, 12 INCH, which price shall include all equipment, labor and materials required to complete this work as specified above

PORTLAND CEMENT CONCRETE SIDEWALK REMOVAL AND REPLACEMENT

This work shall be done in accordance with Section 424 and 440 of the Standard Specifications and the concrete shall meet the requirements of Class SI concrete. The Contractor shall remove the existing sidewalk and sufficient sub-grade to allow for placement of two inches (2") of approved CA-6 crushed stone or crushed gravel on a compacted sub-grade. Replacement shall include the installation of Portland Cement Concrete sidewalk to a minimum thickness of five inches (5") and thickened to six inches (6") across driveways, and two inches (2") of CA-6 sub-base under the new sidewalk, and as directed by the Engineer. If filling is required in the sidewalk subgrade, it shall consist of placing and compacting an approved granular material to the satisfaction of the Engineer, and included in the cost of this pay item.

The Contractor shall use High Early Strength concrete for sidewalk replacement at the location of the driveways at no additional cost to the contract. The Contractor shall fill the voids created by the removal of sidewalk at the location of the driveways with crushed aggregate so that the residents can use their driveways until the start of sidewalk replacement operations.

At sidewalk ramp locations side curbs or flares may be required to meet ADA requirements. When a flare or curb is constructed, it shall meet the three foot (3') minimum curb transition.

Restoration of disturbed parkway areas shall consist of furnishing, placing, and shaping an average depth of 4" of pulverized topsoil and sodding (salt tolerant) to taper from the new sidewalk into the existing parkway. This work shall be done in accordance with Sections 211 and 252 of the Standard Specifications.

The Contractor shall be made aware that at approximately 10 sidewalk locations the existing sidewalk may be shifted to new location adjacent to existing or removed completely and not replaced. All work associated with the specifications noted above in addition to excavation for new sidewalk, restoration of removed sidewalk, and other related work will not be paid for separately but shall be included in the cost of this item.

This work will be paid for at the contract unit price per SQUARE FOOT for PORTLAND CEMENT CONCRETE SIDEWALK REMOVAL AND REPLACEMENT, 5 INCH, which price shall include any necessary excavation for the installation of two inches (2") of approved CA-6 crushed stone or crushed gravel under the new sidewalk, filling with compacted granular material, including additional thickness at driveways. At the Contractor's option CA-16 crushed aggregate may be substituted for CA-6. The Restoration of the parkway area with 4" of pulverized topsoil and sodding (salt tolerant) shall be included in the cost of this item. No stamps advertising the Contractor, construction companies, or other private concerns shall be placed in the concrete.

DETECTABLE WARNINGS

This work shall consist of the installation of prefabricated replaceable panel of truncated domes twenty-four inches (24") wide and forty-eight inches (48") in length on concrete sidewalk accessibility ramps at locations as directed by the Engineer.

Truncated domes shall be in accordance with Article 424.09 of the Standard Specifications. The domes shall parallel the pavement crosswalk in accordance with the latest Highway Standard. The panel shall be Red. The panel shall meet the requirements of ASTM C1028 – Slip Resistance and ASTM G155 – Accelerated Weathering. The Detectable Warning Panel shall be one of the following products, or an approved equal:

ADA Solutions, Inc. Cast-in-Place available from
Stetsons Building Products, Inc.
2425 20th Street
Rockford, IL 61104
Phone: (800) 383-2181
OR

EZ-Set Tile available from
Traffic Control Corporation
10435 Argonne Woods Drive
Woodridge, IL 60517
Phone: (800) 996-6511
OR

Armor-Tile Replaceable Cast-In Place System available from
White Cap Construction Supply
8124 W. 188th Street
Mokena, IL 60448
Phone: (815) 464-8828

This work will be paid for at the contract unit price per SQUARE FOOT for DETECTABLE WARNINGS.

COMBINATION CONCRETE CURB AND GUTTER REMOVAL AND REPLACEMENT

This work shall consist of the removal and replacement of existing concrete curb and gutter at locations as determined by the Engineer. The purpose of this work is to replace curb and gutter at sidewalk ramp locations, or that is damaged and/or requires replacement to improve the street drainage. The replacement curb and gutter section shall be as directed by the Engineer and match that of the existing. This work shall be done in accordance with Section 440 and Section 606 of the Standard Specifications, the details included in the plans, and the concrete shall meet the requirements of Article 1020.04 for SI concrete.

Add the following to Article 440.03:

“The Contractor shall perform his work in a manner causing minimal inconvenience to the residents and motoring public. The trenches created by the removal operations in front of the driveways shall be filled with aggregate to provide access to the residents to their driveways, except for curb and gutter replacement when the driveways will be closed to the residents for 48 hours.

Reinforcing bars may be embedded in old concrete curb. Sawing, removal, and disposal of reinforcing bars will not be paid for separately but shall be included in the cost of the item removed.

Additional excavation noted by the Engineer in the field to provide a suitable granular sub-base will be performed by the Contractor at no expense to the Contract.

Removal of the existing pavement will be required in order to install a full front face form.”

Add the following to Article 606.05:

"The minimum gutter flag depth of the new curb and gutter will be ten inches (10") regardless of the size and type of the existing curb and gutter.

Removal of the existing pavement will be required to install a full front face form. Steel angle pieces will not be allowed for forming, and a full lumber setup will be required for forming. The area between the edge of the existing pavement and the face of the new gutter shall be cleaned of all loose material and shall be filled with Class PV/ SI concrete to a minimum of six-inch (6") width."

Add the following to Article 606.06:

"The Contractor shall limit driveway closures to 72 hours; the Contractor shall have the option to use accelerating admixtures or Class PP concrete to meet this requirement."

Add the following to Article 606.07:

"Where new curb and gutter meets existing curb and gutter to remain, the gutters shall be connected with two 5/8" diameter reinforcing bars, twelve inches (12") long. Holes 5/8" in diameter shall be drilled six inches (6") into the existing concrete curb and gutter prior to driving reinforcing bars into place.

Contraction joints shall be provided at uniform intervals not to exceed twelve feet (12'). Construction joints with dowel bars shall be provided at the end of a day's pour. Expansion joints shall be constructed at intervals not to exceed sixty feet (60') or as determined by the Engineer and shall consist of a minimum of one inch (1") thick preformed expansion joint filler conforming to the cross-section of the curb and gutter and shall be provided with two (2) No. 5 (#5) by eighteen inch (18") coated smooth dowel bars conforming to Article 1006.11(b) of the Standard Specifications. The dowel bars shall be fitted with a cap having a pinched stop that will provide a minimum of one inch (1") of expansion."

Revise Article 606.13 to read:

"After the concrete has obtained the specified strength, the spaces in back of the construction shall be backfilled to the required elevation with pulverized topsoil (no stones), compacted, neatly graded for positive drainage and seeded with salt tolerant grass seed meeting the requirements of Class 1A seed in Article 250.07 of the Standard Specifications."

The Contractor shall note that the Engineer will measure the curb and gutter as marked for replacement prior to removal of the existing curb. This measurement, as marked, will be the final payment quantity and shall be verified by the Contractor prior to removal.

All new curb and gutter shall be depressed at sidewalk ramp locations. The transition from full-height curb and gutter to depressed curb shall occur over a distance of three feet (3') minimum.

This work shall be paid for at the contract unit price per FOOT for COMBINATION CONCRETE CURB AND GUTTER REMOVAL AND REPLACEMENT which price shall include all of the above including 4" of Aggregate Base Course Type B (CA-7 Crushed) under the new curb where unsuitable materials are found, and as directed by the Engineer. **Restoration of the disturbed parkway areas with topsoil and seeding shall be included in the cost of this pay item.**

DRAINAGE AND UTILITY STRUCTURES TO BE ADJUSTED

All Inlets, Catch Basins, Manholes, Valve Vaults, and Sanitary Structures shall be classified as DRAINAGE AND UTILITY STRUCTURES, and the work shall be performed as per Section 603 of the Standard Specifications.

This work will be paid for at the contract unit price per EACH for DRAINAGE AND UTILITY STRUCTURES TO BE ADJUSTED. The use of steel adjusting rings shall not be allowed.

DRAINAGE AND UTILITY STRUCTURES TO BE RECONSTRUCTED

All Inlets, Catch Basins, Manholes, Valve Vaults, and Sanitary Structures shall be classified as DRAINAGE AND UTILITY STRUCTURES, and the work shall be performed as per Section 602 of the Standard Specifications.

This work will be paid for at the contract unit price per EACH for DRAINAGE AND UTILITY STRUCTURES TO BE RECONSTRUCTED.

HOT-MIX ASPHALT BINDER AND SURFACE COURSE

Effective: May 2013
 Revised: January 2023

Description and Materials. The Hot Mix Asphalt mix design, production, and construction (materials, machinery, and methods) shall conform to the specific requirements of the standard specifications for Road and Bridge Construction adopted by the Illinois Department of Transportation, applicable Special Provisions, and Chapter 44 of the Bureau of Local Roads and Streets Manual and the following:

1. All asphalt mix designs shall target 3.5% Air Voids and all production shall trend about 3.5% Air Voids.
2. The AJMF during production shall meet the remaining IDOT volumetric requirements.

HOT-MIX ASPHALT MIXTURE REQUIREMENTS

ITEM	AC TYPE Overlay	AC TYPE Full Depth HMA	VOIDS
Hot Mix Asphalt Surface Course, Mix "D", N50	PG 58-22/58-28 ^{1/}	PG 58-28/58-34 ^{1/}	3.5% @ 50 GYR
Hot Mix Asphalt Binder Course, IL-19, N50	PG 58-22/58-28 ^{1/}	PG 58-28/58-34 ^{1/}	3.5% @ 50 GYR

^{1/}When Asphalt Binder Replacement (ABR) exceeds 15%.

Construction:

3. Tack coat all longitudinal joints (hot and cold) and curb faces.
4. Oscillating rollers will be allowed in lieu of pneumatic tired roller on all lifts, all mixes and all courses
5. Auger and tunnel extensions are required on all lifts, all mixes.
6. Reverse augers must be installed properly.
7. Augers shall be installed properly at the bearing point and center of paver requires kick back paddles.
8. Roll (compact) the confined and curb line longitudinal joint by overlapping by 6" from the hot to cold side of mat and / or curbing.
9. Paving of the full roadway width shall be completed at the end of each day. Longitudinal joints shall be closed daily and within one truck load of HMA to prevent cold joints. Any violation shall require saw cutting edge back 3" to expose straight edge, shall be tack coated twice, and will be straight and uniform.
10. Asphalt along the curb line shall be compacted such that the asphalt is 1/4" above the curb line.

State of Illinois
Department of Transportation
Bureau of Local Roads and Streets

SPECIAL PROVISION
FOR
RAILROAD PROTECTIVE LIABILITY INSURANCE FOR LOCAL LETTINGS

Effective: March 1, 2005
Revised: January 1, 2006

All references to Sections or Articles in this specification shall be construed to mean a specific Section or Article of the Standard Specifications for Road and Bridge Construction, adopted by the Department of Transportation.

Railroad Protective Liability Insurance. The contractor will be required to carry Railroad Protective Liability and Property Damage Liability Insurance in accordance with Article 107.11 of the Standard Specifications. A separate policy is required for each railroad indicated on the attached form unless otherwise noted. The limits of liability for each policy are listed on the attached form. The minimum limits of liability shall be in accordance with Article 107.11 of the Standard Specifications.

Basis of Payment. The costs for providing insurance, as noted above, will be paid for at the contract unit price per Lump Sum for RAILROAD PROTECTIVE LIABILITY INSURANCE.

APPROVAL OF INSURANCE: The ORIGINAL and one CERTIFIED copy of each required policy shall be submitted for approval to the following address:

The contractor will be advised when approval of the insurance has been received from the railroad(s). Before any work begins on railroad right-of-way, the Contractor shall submit to the Resident Engineer evidence that the required railroad protective liability insurance has been approved by the railroad(s). The Contractor shall also provide the Resident Engineer with expiration date of each required policy.

RAILROAD PROTECTIVE LIABILITY INSURANCE FORM

<u>NAMED INSURED & ADDRESS</u>	<u>NUMBER & SPEED OF PASSENGER TRAINS</u>	<u>NUMBER & SPEED OF FREIGHT TRAINS</u>
Illinois Railway, LLC 430 West Madison Street Ottawa, IL, 61350	0	Avg. Daily: 2 (30 mph)

DOT/AAR Number: 065042S RR Mile Post: 0043.31
Liability Limits: Combined Single Limit \$ 2,000,000 Aggregate Limit \$ 6,000,000
For Freight/Passenger Information Contact: Ruben Camacho Phone: 815-503-3514
For Insurance Information Contact: Kelle Williams Phone: 303-398-0445

DOT/AAR Number: _____ RR Mile Post: _____
Liability Limits: Combined Single Limit \$ _____ Aggregate Limit \$ _____
For Freight/Passenger Information Contact: _____ Phone: _____
For Insurance Information Contact: _____ Phone: _____

DOT/AAR Number: _____ RR Mile Post: _____
Liability Limits: Combined Single Limit \$ _____ Aggregate Limit \$ _____
For Freight/Passenger Information Contact: _____ Phone: _____
For Insurance Information Contact: _____ Phone: _____

DOT/AAR Number: _____ RR Mile Post: _____
Liability Limits: Combined Single Limit \$ _____ Aggregate Limit \$ _____
For Freight/Passenger Information Contact: _____ Phone: _____
For Insurance Information Contact: _____ Phone: _____

State of Illinois
Department of Transportation
Bureau of Local Roads and Streets

SPECIAL PROVISION
FOR
INSURANCE

Effective: February 1, 2007
Revised: August 1, 2007

All references to Sections or Articles in this specification shall be construed to mean specific Section or Article of the Standard Specifications for Road and Bridge Construction, adopted by the Department of Transportation.

The Contractor shall name the following entities as additional insured under the Contractor's general liability insurance policy in accordance with Article 107.27:

Village of Oswego

HR Green, Inc

The entities listed above and their officers, employees, and agents shall be indemnified and held harmless in accordance with Article 107.26.

State of Illinois
Department of Transportation
Bureau of Local Roads and Streets
SPECIAL PROVISION
FOR
CONSTRUCTION AND MAINTENANCE SIGNS

Effective: January 1, 2004
Revised: June 1, 2007

All references to Sections or Articles in this specification shall be construed to mean a specific Section or Article of the Standard Specifications for Road and Bridge Construction, adopted by the Department of Transportation.

701.14. Signs. Add the following paragraph to Article 701.14:

All warning signs shall have minimum dimensions of 1200 mm x 1200 mm (48" x 48") and have a black legend on a fluorescent orange reflectorized background, meeting, as a minimum, Type AP reflectivity requirements of Table 1091-2 in Article 1091.02.

State of Illinois
 DEPARTMENT OF TRANSPORTATION
 Bureau of Local Roads & Streets
 SPECIAL PROVISION
 FOR
 LOCAL QUALITY ASSURANCE/ QUALITY MANAGEMENT QC/QA
 Effective: January 1, 2022

Replace the first five paragraphs of Article 1030.06 of the Standard Specifications with the following:

“1030.06 Quality Management Program. The Quality Management Program (QMP) will be Quality Control / Quality Assurance (QC/QA) according to the following.”

Delete Article 1030.06(d)(1) of the Standard Specifications.

Revise Article 1030.09(g)(3) of the Standard Specifications to read:

“(3) If core testing is the density verification method, the Contractor shall provide personnel and equipment to collect density verification cores for the Engineer. Core locations will be determined by the Engineer following the document “Hot-Mix Asphalt QC/QA Procedure for Determining Random Density Locations” at density verification intervals defined in Article 1030.09(b). After the Engineer identifies a density verification location and prior to opening to traffic, the Contractor shall cut a 4 in. (100 mm) diameter core. With the approval of the Engineer, the cores may be cut at a later time.”

Revise Article 1030.09(h)(2) of the Standard Specifications to read:

“(2) After final rolling and prior to paving subsequent lifts, the Engineer will identify the random density verification test locations. Cores or nuclear density gauge testing will be used for density verification. The method used for density verification will be as selected below.

Density Verification Method	
<input type="checkbox"/>	Cores
<input checked="" type="checkbox"/>	Nuclear Density Gauge (Correlated when paving \geq 3,000 tons per mixture)

Density verification test locations will be determined according to the document “Hot-Mix Asphalt QC/QA Procedure for Determining Random Density Locations”. The density testing interval for paving wider than or equal to 3 ft (1 m) will be 0.5 miles (800 m) for lift thicknesses of 3 in. (75 mm) or less and 0.2 miles (320 m) for lift thicknesses greater than 3 in. (75 mm). The density testing interval for paving less than 3 ft (1 m) wide will be 1 mile (1,600 m). If a day’s paving will be less than the prescribed density testing interval, the length of the day’s paving will be the interval for that day. The density testing interval for mixtures used for patching will be 50 patches with a minimum of one test per mixture per project.

If core testing is the density verification method, the Engineer will witness the Contractor coring, and secure and take possession of all density samples at the

density verification locations. The Engineer will test the cores collected by the Contractor for density according to Illinois Modified AASHTO T 166 or AASHTO T 275.

If nuclear density gauge testing is the density verification method, the Engineer will conduct nuclear density gauge tests. The Engineer will follow the density testing procedure detailed in the document "Illinois Modified ASTM D 2950, Standard Test Method for Density of Bituminous Concrete In-Place by Nuclear Method".

A density verification test will be the result of a single core or the average of the nuclear density tests at one location. The results of each density test must be within acceptable limits. The Engineer will promptly notify the Contractor of observed deficiencies."

Revise the seventh paragraph and all subsequent paragraphs in Section D. of the document "Hot-Mix Asphalt QC/QA Initial Daily Plant and Random Samples" to read:

"Mixtures shall be sampled from the truck at the plant by the Contractor following the same procedure used to collect QC mixture samples (Section A). This process will be witnessed by the Engineer who will take custody of the verification sample. Each sample bag with a verification mixture sample will be secured by the Engineer using a locking ID tag. Sample boxes containing the verification mixture sample will be sealed/taped by the Engineer using a security ID label."

State of Illinois
DEPARTMENT OF TRANSPORTATION
Bureau of Local Roads & Streets

SPECIAL PROVISION
FOR
EMULSIFIED ASPHALTS

Effective: January 1, 2007
Revised: February 7, 2008

All references to Sections and Articles in this Special Provision shall be construed to mean specific Sections and Articles in the Standard Specifications for Road and Bridge Construction adopted by the Department of Transportation.

Replace the table after Note 2 in Article 403.02 with the following:

Type of Construction	Bituminous Materials Recommended for Weather Conditions Indicated	
	Warm [15 °C to 30 °C]* [(60 °F to 85 °F)]*	Hot [30 °C Plus]* [(85 °F Plus)]*
Prime	MC-30, PEP	MC-30, PEP
Cover Coat and Seal Coat	RS-2, CRS-2, RC-800, RC-3000, MC-800, MC-3000, SC-3000, HFE-90, HFE-150, HFE-300, HFRS-2, PEA**	RS-2, CRS-2, RC-800, RC-3000, MC-800, MC-3000, SC-3000, PG46-28, PG52-28, HFE-90, HFE-150, HFE-300, HFRS-2, PEA**

* Temperature of the air in the shade at the time of application.

** PEA is only allowed on roads with low traffic volumes

Replace the table after Note 2 in Article 406.02 with the following:

Type of Construction	Bituminous Materials Recommended
Prime (tack) on Brick, Concrete, or Bituminous Bases (Note 3)	SS-1, SS-1h, CSS-1, CSS-1h, HFE-90, RC-70
Prime on Aggregate Bases (Note 4)	MC-30, PEP
Mixture for Cracks, Joints, and Flangeways	PG58-22, PG64-22

Note 3. When emulsified asphalts are used, they shall be diluted with an equal volume of potable water. HFE emulsions shall be diluted by the manufacturer. The diluted material shall be thoroughly agitated within 24 hours of application and show no separation of water and emulsion. The diluted material shall not be returned to an approved emulsion storage tank.

Note 4. Preparation of the bituminous PEP shall be as specified in Article 403.05.

Replace the table in Article 1032.04 with the following:

Spraying Application Temperature Ranges		
Type and Grade of Bituminous Material	Temperature Ranges	
	°F min. - max.	°C min. - max.
PEP	60 - 130	15 - 55
PEA	140 - 190	60 - 88
MC-30	85 - 190	30 - 90
MC-70, RC-70, SC-70	120 - 225	50 - 105
MC-250, SC-250	165 - 270	75 - 130
MC-800, SC-800	200 - 305	95 - 150
MC-3000, SC-3000	230 - 345	110 - 175
PG46-28	275 - 385	135 - 195
PG52-28	285 - 395	140 - 200
RS-2, CRS-2	110 - 160	45 - 70
SS-1, SS-1h, CSS-1, CSS-1h	75 - 130	25 - 55
SS-1hP, CSS-1hP	75 - 130	25 - 55
HFE-90, HFE-150, HFE-300	150 - 180	65 - 80
HFP, CRSP, HFRS-2	150 - 180	65 - 80
E-2	85 - 190	30 - 90
E-3	120 - 225	50 - 105
E-4	165 - 270	75 - 130

Add subparagraph (g) to Article 1032.06:

- (g) Penetrating Emulsified Asphalt (PEA). The penetrating emulsified asphalt shall meet the following requirements when tested according to AASHTO T59:

Viscosity, Saybolt Fural @ 25°C (77°F),	sec:	20 - 500
Sieve Test, retained on 850 µm (No. 20) sieve, maximum,	%:	0.10
Storage Stability Test, 1 day, maximum,	%:	1
Float Test @ 60°C (140°F), minimum,	sec:	150
Stone Coating Test, 3 minutes,	:	Stone Coated Thoroughly
Particle Charge	:	Negative
pH, minimum	:	7.3
Distillation Test:		
Distillation to 260°C (500°F) Residue, minimum	%:	65
Oil Distillate by Volume, maximum	%:	3
Test on residue from distillation:		
Penetration @ 25°C (77°F), 100 g, 5 sec, minimum	dmm:	300

Replace the last sentence and table of Article 1032.06 with the following:

The different grades are, in general, used for the following.

Grade	Use
SS-1, SS-1h, CSS-1, CSS-1h, HFE 90, SS-1hP, CSS-1hP	Tack or fog seal
PEP	Bituminous surface treatment prime
RS-2, HFE 90, HFE 150, HFE 300, CRSP, HFP, CRS-2, HFRS-2, PEA	Bituminous surface treatment
CSS-1h Latex Modified	Microsurfacing

BDE SPECIAL PROVISIONS
For the April 26 and June 14, 2024 Lettings

The following special provisions indicated by a "check mark" are applicable to this contract and will be included by the Project Coordination and Implementation Section of the Bureau of Design & Environment (BDE).

File Name	#		Special Provision Title	Effective	Revised
	80099	1	<input type="checkbox"/> Accessible Pedestrian Signals (APS)	April 1, 2003	Jan. 1, 2022
	80274	2	<input type="checkbox"/> Aggregate Subgrade Improvement	April 1, 2012	April 1, 2022
	80192	3	<input type="checkbox"/> Automated Flagger Assistance Devices	Jan. 1, 2008	April 1, 2023
	80173	4	<input type="checkbox"/> Bituminous Materials Cost Adjustments	Nov. 2, 2006	Aug. 1, 2017
	80426	5	<input type="checkbox"/> Bituminous Surface Treatment with Fog Seal	Jan. 1, 2020	Jan. 1, 2022
*	80241	6	<input type="checkbox"/> Bridge Demolition Debris	July 1, 2009	
*	50531	7	<input type="checkbox"/> Building Removal	Sept. 1, 1990	Aug. 1, 2022
*	50261	8	<input type="checkbox"/> Building Removal with Asbestos Abatement	Sept. 1, 1990	Aug. 1, 2022
	80449	9	<input type="checkbox"/> Cement, Type IL	Aug. 1, 2023	
	80384	10	<input checked="" type="checkbox"/> Compensable Delay Costs	June 2, 2017	April 1, 2019
*	80198	11	<input type="checkbox"/> Completion Date (via calendar days)	April 1, 2008	
*	80199	12	<input type="checkbox"/> Completion Date (via calendar days) Plus Working Days	April 1, 2008	
	80453	13	<input type="checkbox"/> Concrete Sealer	Nov. 1, 2023	
	80261	14	<input checked="" type="checkbox"/> Construction Air Quality – Diesel Retrofit	June 1, 2010	Nov. 1, 2014
	80434	15	<input type="checkbox"/> Corrugated Plastic Pipe (Culvert and Storm Sewer)	Jan. 1, 2021	
*	80029	16	<input type="checkbox"/> Disadvantaged Business Enterprise Participation	Sept. 1, 2000	Mar. 2, 2019
	80229	17	<input type="checkbox"/> Fuel Cost Adjustment	April 1, 2009	Aug. 1, 2017
	80452	18	<input type="checkbox"/> Full Lane Sealant Waterproofing System	Nov. 1, 2023	
	80447	19	<input type="checkbox"/> Grading and Shaping Ditches	Jan. 1, 2023	
	80433	20	<input type="checkbox"/> Green Preformed Thermoplastic Pavement Markings	Jan. 1, 2021	Jan. 1, 2022
	80443	21	<input type="checkbox"/> High Tension Cable Median Barrier Removal	April 1, 2022	
	80456	22	<input type="checkbox"/> Hot-Mix Asphalt	Jan. 1, 2024	
	80446	23	<input type="checkbox"/> Hot-Mix Asphalt - Longitudinal Joint Sealant	Nov. 1, 2022	Aug. 1, 2023
	80438	24	<input type="checkbox"/> Illinois Works Apprenticeship Initiative – State Funded Contracts	June 2, 2021	April 2, 2024
	80045	25	<input type="checkbox"/> Material Transfer Device	June 15, 1999	Jan. 1, 2022
	80450	26	<input type="checkbox"/> Mechanically Stabilized Earth Retaining Walls	Aug. 1, 2023	
	80441	27	<input checked="" type="checkbox"/> Performance Graded Asphalt Binder	Jan. 1, 2023	
	80451	28	<input type="checkbox"/> Portland Cement Concrete	Aug. 1, 2023	
*	34261	29	<input type="checkbox"/> Railroad Protective Liability Insurance	Dec. 1, 1986	Jan. 1, 2022
	80455	30	<input type="checkbox"/> Removal and Disposal of Regulated Substances	Jan. 1, 2024	April 1, 2024
	80445	31	<input checked="" type="checkbox"/> Seeding	Nov. 1, 2022	
	80457	32	<input type="checkbox"/> Short Term and Temporary Pavement Markings	April 1, 2024	
	80448	33	<input type="checkbox"/> Source of Supply and Quality Requirements	Jan. 2, 2023	
	80340	34	<input type="checkbox"/> Speed Display Trailer	April 2, 2014	Jan. 1, 2022
	80127	35	<input type="checkbox"/> Steel Cost Adjustment	April 2, 2004	Jan. 1, 2022
	80397	36	<input type="checkbox"/> Subcontractor and DBE Payment Reporting	April 2, 2018	
	80391	37	<input type="checkbox"/> Subcontractor Mobilization Payments	Nov. 2, 2017	April 1, 2019
	80437	38	<input type="checkbox"/> Submission of Payroll Records	April 1, 2021	Nov. 2, 2023
	80435	39	<input type="checkbox"/> Surface Testing of Pavements – IRI	Jan. 1, 2021	Jan. 1, 2023
	80410	40	<input type="checkbox"/> Traffic Spotters	Jan. 1, 2019	
*	20338	41	<input type="checkbox"/> Training Special Provisions	Oct. 15, 1975	Sept. 2, 2021
	80429	42	<input type="checkbox"/> Ultra-Thin Bonded Wearing Course	April 1, 2020	Jan. 1, 2022
	80439	43	<input checked="" type="checkbox"/> Vehicle and Equipment Warning Lights	Nov. 1, 2021	Nov. 1, 2022
	80302	44	<input type="checkbox"/> Weekly DBE Trucking Reports	June 2, 2012	Nov. 1, 2021
	80454	45	<input type="checkbox"/> Wood Sign Support	Nov. 1, 2023	
	80427	46	<input type="checkbox"/> Work Zone Traffic Control Devices	Mar. 2, 2020	
*	80071	47	<input type="checkbox"/> Working Days	Jan. 1, 2002	

Highlighted items indicate a new or revised special provision for the letting.

An * indicates the special provision requires additional information from the designer, which needs to be submitted separately. The Project Coordination and Implementation Section will then include the information in the applicable special provision.

The following special provisions are in the 2024 Supplemental Specifications and Recurring Special Provisions.

<u>File Name</u>	<u>Special Provision Title</u>	<u>New Location(s)</u>	<u>Effective</u>	<u>Revised</u>
80436	Blended Finely Divided Minerals	Articles 1010.01 & 1010.06	April 1, 2021	
80440	Waterproofing Membrane System	Article 1061.05	Nov. 1, 2021	

COMPENSABLE DELAY COSTS (BDE)

Effective: June 2, 2017

Revised: April 1, 2019

Revise Article 107.40(b) of the Standard Specifications to read:

“(b) Compensation. Compensation will not be allowed for delays, inconveniences, or damages sustained by the Contractor from conflicts with facilities not meeting the above definition; or if a conflict with a utility in an unanticipated location does not cause a shutdown of the work or a documentable reduction in the rate of progress exceeding the limits set herein. The provisions of Article 104.03 notwithstanding, compensation for delays caused by a utility in an unanticipated location will be paid according to the provisions of this Article governing minor and major delays or reduced rate of production which are defined as follows.

- (1) Minor Delay. A minor delay occurs when the work in conflict with the utility in an unanticipated location is completely stopped for more than two hours, but not to exceed two weeks.
- (2) Major Delay. A major delay occurs when the work in conflict with the utility in an unanticipated location is completely stopped for more than two weeks.
- (3) Reduced Rate of Production Delay. A reduced rate of production delay occurs when the rate of production on the work in conflict with the utility in an unanticipated location decreases by more than 25 percent and lasts longer than seven calendar days.”

Revise Article 107.40(c) of the Standard Specifications to read:

“(c) Payment. Payment for Minor, Major, and Reduced Rate of Production Delays will be made as follows.

- (1) Minor Delay. Labor idled which cannot be used on other work will be paid for according to Article 109.04(b)(1) and (2) for the time between start of the delay and the minimum remaining hours in the work shift required by the prevailing practice in the area.

Equipment idled which cannot be used on other work, and which is authorized to standby on the project site by the Engineer, will be paid for according to Article 109.04(b)(4).

- (2) Major Delay. Labor will be the same as for a minor delay.

Equipment will be the same as for a minor delay, except Contractor-owned equipment will be limited to two weeks plus the cost of move-out to either the

Contractor's yard or another job and the cost to re-mobilize, whichever is less. Rental equipment may be paid for longer than two weeks provided the Contractor presents adequate support to the Department (including lease agreement) to show retaining equipment on the job is the most economical course to follow and in the public interest.

- (3) Reduced Rate of Production Delay. The Contractor will be compensated for the reduced productivity for labor and equipment time in excess of the 25 percent threshold for that portion of the delay in excess of seven calendar days. Determination of compensation will be in accordance with Article 104.02, except labor and material additives will not be permitted.

Payment for escalated material costs, escalated labor costs, extended project overhead, and extended traffic control will be determined according to Article 109.13.”

Revise Article 108.04(b) of the Standard Specifications to read:

“(b) No working day will be charged under the following conditions.

- (1) When adverse weather prevents work on the controlling item.
- (2) When job conditions due to recent weather prevent work on the controlling item.
- (3) When conduct or lack of conduct by the Department or its consultants, representatives, officers, agents, or employees; delay by the Department in making the site available; or delay in furnishing any items required to be furnished to the Contractor by the Department prevents work on the controlling item.
- (4) When delays caused by utility or railroad adjustments prevent work on the controlling item.
- (5) When strikes, lock-outs, extraordinary delays in transportation, or inability to procure critical materials prevent work on the controlling item, as long as these delays are not due to any fault of the Contractor.
- (6) When any condition over which the Contractor has no control prevents work on the controlling item.”

Revise Article 109.09(f) of the Standard Specifications to read:

“(f) Basis of Payment. After resolution of a claim in favor of the Contractor, any adjustment in time required for the work will be made according to Section 108. Any adjustment in the costs to be paid will be made for direct labor, direct materials, direct equipment, direct jobsite overhead, direct offsite overhead, and other direct costs allowed by the resolution. Adjustments in costs will not be made for interest charges, loss of anticipated profit, undocumented loss of efficiency, home office overhead and unabsorbed overhead

other than as allowed by Article 109.13, lost opportunity, preparation of claim expenses and other consequential indirect costs regardless of method of calculation.

The above Basis of Payment is an essential element of the contract and the claim cost recovery of the Contractor shall be so limited.”

Add the following to Section 109 of the Standard Specifications.

“109.13 Payment for Contract Delay. Compensation for escalated material costs, escalated labor costs, extended project overhead, and extended traffic control will be allowed when such costs result from a delay meeting the criteria in the following table.

Contract Type	Cause of Delay	Length of Delay
Working Days	Article 108.04(b)(3) or Article 108.04(b)(4)	No working days have been charged for two consecutive weeks.
Completion Date	Article 108.08(b)(1) or Article 108.08(b)(7)	The Contractor has been granted a minimum two week extension of contract time, according to Article 108.08.

Payment for each of the various costs will be according to the following.

- (a) Escalated Material and/or Labor Costs. When the delay causes work, which would have otherwise been completed, to be done after material and/or labor costs have increased, such increases will be paid. Payment for escalated material costs will be limited to the increased costs substantiated by documentation furnished by the Contractor. Payment for escalated labor costs will be limited to those items in Article 109.04(b)(1) and (2), except the 35 percent and 10 percent additives will not be permitted.
- (b) Extended Project Overhead. For the duration of the delay, payment for extended project overhead will be paid as follows.
 - (1) Direct Jobsite and Offsite Overhead. Payment for documented direct jobsite overhead and documented direct offsite overhead, including onsite supervisory and administrative personnel, will be allowed according to the following table.

Original Contract Amount	Supervisory and Administrative Personnel
Up to \$5,000,000	One Project Superintendent
Over \$ 5,000,000 - up to \$25,000,000	One Project Manager, One Project Superintendent or Engineer, and One Clerk
Over \$25,000,000 - up to \$50,000,000	One Project Manager, One Project Superintendent, One Engineer, and

	One Clerk
Over \$50,000,000	One Project Manager, Two Project Superintendents, One Engineer, and One Clerk

(2) Home Office and Unabsorbed Overhead. Payment for home office and unabsorbed overhead will be calculated as 8 percent of the total delay cost.

(c) Extended Traffic Control. Traffic control required for an extended period of time due to the delay will be paid for according to Article 109.04.

When an extended traffic control adjustment is paid under this provision, an adjusted unit price as provided for in Article 701.20(a) for increase or decrease in the value of work by more than ten percent will not be paid.

Upon payment for a contract delay under this provision, the Contractor shall assign subrogation rights to the Department for the Department's efforts of recovery from any other party for monies paid by the Department as a result of any claim under this provision. The Contractor shall fully cooperate with the Department in its efforts to recover from another party any money paid to the Contractor for delay damages under this provision."

CONSTRUCTION AIR QUALITY – DIESEL RETROFIT (BDE)

Effective: June 1, 2010

Revised: November 1, 2014

The reduction of emissions of particulate matter (PM) for off-road equipment shall be accomplished by installing retrofit emission control devices. The term “equipment” refers to diesel fuel powered devices rated at 50 hp and above, to be used on the jobsite in excess of seven calendar days over the course of the construction period on the jobsite (including rental equipment).

Contractor and subcontractor diesel powered off-road equipment assigned to the contract shall be retrofitted using the phased in approach shown below. Equipment that is of a model year older than the year given for that equipment’s respective horsepower range shall be retrofitted:

Effective Dates	Horsepower Range	Model Year
June 1, 2010 ^{1/}	600-749	2002
	750 and up	2006
June 1, 2011 ^{2/}	100-299	2003
	300-599	2001
	600-749	2002
	750 and up	2006
June 1, 2012 ^{2/}	50-99	2004
	100-299	2003
	300-599	2001
	600-749	2002
	750 and up	2006

1/ Effective dates apply to Contractor diesel powered off-road equipment assigned to the contract.

2/ Effective dates apply to Contractor and subcontractor diesel powered off-road equipment assigned to the contract.

The retrofit emission control devices shall achieve a minimum PM emission reduction of 50 percent and shall be:

- a) Included on the U.S. Environmental Protection Agency (USEPA) *Verified Retrofit Technology List* (<http://www.epa.gov/cleandiesel/verification/verif-list.htm>), or verified by the California Air Resources Board (CARB) (<http://www.arb.ca.gov/diesel/verdev/vt/cvt.htm>); or
- b) Retrofitted with a non-verified diesel retrofit emission control device if verified retrofit emission control devices are not available for equipment proposed to be used on the project, and if the Contractor has obtained a performance certification from the retrofit

device manufacturer that the emission control device provides a minimum PM emission reduction of 50 percent.

Note: Large cranes (Crawler mounted cranes) which are responsible for critical lift operations are exempt from installing retrofit emission control devices if such devices adversely affect equipment operation.

Diesel powered off-road equipment with engine ratings of 50 hp and above, which are unable to be retrofitted with verified emission control devices or if performance certifications are not available which will achieve a minimum 50 percent PM reduction, may be granted a waiver by the Department if documentation is provided showing good faith efforts were made by the Contractor to retrofit the equipment.

Construction shall not proceed until the Contractor submits a certified list of the diesel powered off-road equipment that will be used, and as necessary, retrofitted with emission control devices. The list(s) shall include (1) the equipment number, type, make, Contractor/rental company name; and (2) the emission control devices make, model, USEPA or CARB verification number, or performance certification from the retrofit device manufacturer. Equipment reported as fitted with emissions control devices shall be made available to the Engineer for visual inspection of the device installation, prior to being used on the jobsite.

The Contractor shall submit an updated list of retrofitted off-road construction equipment as retrofitted equipment changes or comes on to the jobsite. The addition or deletion of any diesel powered equipment shall be included on the updated list.

If any diesel powered off-road equipment is found to be in non-compliance with any portion of this special provision, the Engineer will issue the Contractor a diesel retrofit deficiency deduction.

Any costs associated with retrofitting any diesel powered off-road equipment with emission control devices shall be considered as included in the contract unit prices bid for the various items of work involved and no additional compensation will be allowed. The Contractor's compliance with this notice and any associated regulations shall not be grounds for a claim.

Diesel Retrofit Deficiency Deduction

When the Engineer determines that a diesel retrofit deficiency exists, a daily monetary deduction will be imposed for each calendar day or fraction thereof the deficiency continues to exist. The calendar day(s) will begin when the time period for correction is exceeded and end with the Engineer's written acceptance of the correction. The daily monetary deduction will be \$1,000.00 for each deficiency identified.

The deficiency will be based on lack of diesel retrofit emissions control.

If a Contractor accumulates three diesel retrofit deficiency deductions for the same piece of equipment in a contract period, the Contractor will be shutdown until the deficiency is corrected.

Such a shutdown will not be grounds for any extension of the contract time, waiver of penalties, or be grounds for any claim.

80261

PERFORMANCE GRADED ASPHALT BINDER (BDE)

Effective: January 1, 2023

Revise Article 1032.05 of the Standard Specifications to read:

“1032.05 Performance Graded Asphalt Binder. These materials will be accepted according to the Bureau of Materials Policy Memorandum, “Performance Graded Asphalt Binder Qualification Procedure.” The Department will maintain a qualified producer list. These materials shall be free from water and shall not foam when heated to any temperature below the actual flash point. Air blown asphalt, recycle engine oil bottoms (ReOB), and polyphosphoric acid (PPA) modification shall not be used.

When requested, producers shall provide the Engineer with viscosity/temperature relationships for the performance graded asphalt binders delivered and incorporated in the work.

- (a) Performance Graded (PG) Asphalt Binder. The asphalt binder shall meet the requirements of AASHTO M 320, Table 1 “Standard Specification for Performance Graded Asphalt Binder” for the grade shown on the plans and the following.

Test	Parameter
Small Strain Parameter (AASHTO PP 113) BBR, ΔT_c , 40 hrs PAV (40 hrs continuous or 2 PAV at 20 hrs)	-5 °C min.

- (b) Modified Performance Graded (PG) Asphalt Binder. The asphalt binder shall meet the requirements of AASHTO M 320, Table 1 “Standard Specification for Performance Graded Asphalt Binder” for the grade shown on the plans.

Asphalt binder modification shall be performed at the source, as defined in the Bureau of Materials Policy Memorandum, “Performance Graded Asphalt Binder Qualification Procedure.”

Modified asphalt binder shall be safe to handle at asphalt binder production and storage temperatures or HMA construction temperatures. Safety Data Sheets (SDS) shall be provided for all asphalt modifiers.

- (1) Polymer Modification (SB/SBS or SBR). Elastomers shall be added to the base asphalt binder to achieve the specified performance grade and shall be either a styrene-butadiene diblock, triblock copolymer without oil extension, or a styrene-butadiene rubber. The polymer modified asphalt binder shall be smooth, homogeneous, and be according to the requirements shown in Table 1 or 2 for the grade shown on the plans.

Table 1 - Requirements for Styrene-Butadiene Copolymer (SB/SBS) Modified Asphalt Binders		
Test	Asphalt Grade SB/SBS PG 64-28 SB/SBS PG 70-22	Asphalt Grade SB/SBS PG 64-34 SB/SBS PG 70-28 SB/SBS PG 76-22 SB/SBS PG 76-28
Separation of Polymer ITP, "Separation of Polymer from Asphalt Binder" Difference in °F (°C) of the softening point between top and bottom portions	4 (2) max.	4 (2) max.
TESTS ON RESIDUE FROM ROLLING THIN FILM OVEN TEST (AASHTO T 240)		
Elastic Recovery ASTM D 6084, Procedure A, 77 °F (25 °C), 100 mm elongation, %	60 min.	70 min.

Table 2 - Requirements for Styrene-Butadiene Rubber (SBR) Modified Asphalt Binders		
Test	Asphalt Grade SBR PG 64-28 SBR PG 70-22	Asphalt Grade SB/SBS PG 64-34 SB/SBS PG 70-28 SBR PG 76-22 SBR PG 76-28
Separation of Polymer ITP, "Separation of Polymer from Asphalt Binder" Difference in °F (°C) of the softening point between top and bottom portions	4 (2) max.	4 (2) max.
Toughness ASTM D 5801, 77 °F (25 °C), 20 in./min. (500 mm/min.), in.-lbs (N-m)	110 (12.5) min.	110 (12.5) min.
Tenacity ASTM D 5801, 77 °F (25 °C), 20 in./min. (500 mm/min.), in.-lbs (N-m)	75 (8.5) min.	75 (8.5) min.
TESTS ON RESIDUE FROM ROLLING THIN FILM OVEN TEST (AASHTO T 240)		
Elastic Recovery ASTM D 6084, Procedure A, 77 °F (25 °C), 100 mm elongation, %	40 min.	50 min.

- (2) Ground Tire Rubber (GTR) Modification. GTR modification is the addition of recycled ground tire rubber to liquid asphalt binder to achieve the specified performance grade. GTR shall be produced from processing automobile and/or truck tires by the ambient

grinding method or micronizing through a cryogenic process. GTR shall not exceed 1/16 in. (2 mm) in any dimension and shall not contain free metal particles, moisture that would cause foaming of the asphalt, or other foreign materials. A mineral powder (such as talc) meeting the requirements of AASHTO M 17 may be added, up to a maximum of four percent by weight of GTR to reduce sticking and caking of the GTR particles. When tested in accordance with Illinois Modified AASHTO T 27 “Standard Method of Test for Sieve Analysis of Fine and Coarse Aggregates” or AASHTO PP 74 “Standard Practice for Determination of Size and Shape of Glass Beads Used in Traffic Markings by Means of Computerized Optical Method”, a 50 g sample of the GTR shall conform to the following gradation requirements.

Sieve Size	Percent Passing
No. 16 (1.18 mm)	100
No. 30 (600 µm)	95 ± 5
No. 50 (300 µm)	> 20

GTR modified asphalt binder shall be tested for rotational viscosity according to AASHTO T 316 using spindle S27. GTR modified asphalt binder shall be tested for original dynamic shear and RTFO dynamic shear according to AASHTO T 315 using a gap of 2 mm.

The GTR modified asphalt binder shall meet the requirements of Table 3.

Table 3 - Requirements for Ground Tire Rubber (GTR) Modified Asphalt Binders		
Test	Asphalt Grade GTR PG 64-28 GTR PG 70-22	Asphalt Grade GTR PG 76-22 GTR PG 76-28 GTR PG 70-28
TESTS ON RESIDUE FROM ROLLING THIN FILM OVEN TEST (AASHTO T 240)		
Elastic Recovery ASTM D 6084, Procedure A, 77 °F (25 °C), 100 mm elongation, %	60 min.	70 min.

- (3) Softener Modification (SM). Softener modification is the addition of organic compounds, such as engineered flux, bio-oil blends, modified vegetable oils, glycol amines, and fatty acid derivatives, to the base asphalt binder to achieve the specified performance grade. Softeners shall be dissolved, dispersed, or reacted in the asphalt binder to enhance its performance and shall remain compatible with the asphalt binder with no separation. Softeners shall not be added to modified PG asphalt binder as defined in Articles 1032.05(b)(1) or 1032.05(b)(2).

An Attenuated Total Reflectance-Fourier Transform Infrared spectrum (ATR-FTIR) shall be collected for both the softening compound as well as the softener modified

asphalt binder at the dose intended for qualification. The ATR-FTIR spectra shall be collected on unaged softener modified binder, 20-hour Pressurized Aging Vessel (PAV) aged softener modified binder, and 40-hour PAV aged softener modified binder. The ATR-FTIR shall be collected in accordance with Illinois Test Procedure 601. The electronic files spectral files (in one of the following extensions or equivalent: *.SPA, *.SPG, *.IRD, *.IFG, *.CSV, *.SP, *.IRS, *.GAML, *. [0-9], *.IGM, *.ABS, *.DRT, *.SBM, *.RAS) shall be submitted to the Central Bureau of Materials.

Softener modified asphalt binders shall meet the requirements in Table 4.

Test	Asphalt Grade	
	SM PG 46-28	SM PG 46-34
	SM PG 52-28	SM PG 52-34
	SM PG 58-22	SM PG 58-28
	SM PG 64-22	
Small Strain Parameter (AASHTO PP 113) BBR, ΔT_c , 40 hrs PAV (40 hrs continuous or 2 PAV at 20 hrs)	-5°C min.	
Large Strain Parameter (Illinois Modified AASHTO T 391) DSR/LAS Fatigue Property, $\Delta G^* _{peak}$, 40 hrs PAV (40 hrs continuous or 2 PAV at 20 hrs)	≥ 54 %	

The following grades may be specified as tack coats.

Asphalt Grade	Use
PG 58-22, PG 58-28, PG 64-22	Tack Coat

Revise Article 1031.06(c)(1) and 1031.06(c)(2) of the Standard Specifications to read:

“(1) RAP/RAS. When RAP is used alone or RAP is used in conjunction with RAS, the percentage of virgin ABR shall not exceed the amounts listed in the following table.

Ndesign	Binder	Surface	Polymer Modified Binder or Surface ^{3/}
30	30	30	10
50	25	15	10
70	15	10	10
90	10	10	10

1/ For Low ESAL HMA shoulder and stabilized subbase, the RAP/RAS ABR shall not exceed 50 percent of the mixture.

- 2/ When RAP/RAS ABR exceeds 20 percent, the high and low virgin asphalt binder grades shall each be reduced by one grade (i.e. 25 percent ABR would require a virgin asphalt binder grade of PG 64-22 to be reduced to a PG 58-28).
 - 3/ The maximum ABR percentages for ground tire rubber (GTR) modified mixes shall be equivalent to the percentages specified for SBS/SBR polymer modified mixes.
- (2) FRAP/RAS. When FRAP is used alone or FRAP is used in conjunction with RAS, the percentage of virgin asphalt binder replacement shall not exceed the amounts listed in the following table.

HMA Mixtures - FRAP/RAS Maximum ABR % ^{1/2/}			
Ndesign	Binder	Surface	Polymer Modified Binder or Surface ^{3/}
30	55	45	15
50	45	40	15
70	45	35	15
90	45	35	15
SMA	--	--	25
IL-4.75	--	--	35

- 1/ For Low ESAL HMA shoulder and stabilized subbase, the FRAP/RAS ABR shall not exceed 50 percent of the mixture.
- 2/ When FRAP/RAS ABR exceeds 20 percent for all mixes, the high and low virgin asphalt binder grades shall each be reduced by one grade (i.e. 25 percent ABR would require a virgin asphalt binder grade of PG 64-22 to be reduced to a PG 58-28).
- 3/ The maximum ABR percentages for GTR modified mixes shall be equivalent to the percentages specified for SBS/SBR polymer modified mixes.”

Add the following to the end of Note 2 of Article 1030.03 of the Standard Specifications.

“A dedicated storage tank for the ground tire rubber (GTR) modified asphalt binder shall be provided. This tank shall be capable of providing continuous mechanical mixing throughout and/or recirculation of the asphalt binder to provide a uniform mixture. The tank shall be heated and capable of maintaining the temperature of the asphalt binder at 300 °F to 350 °F (149 °C to 177 °C). The asphalt binder metering systems of dryer drum plants shall be calibrated with the actual GTR modified asphalt binder material with an accuracy of ±0.40 percent.”

SEEDING (BDE)

Effective: November 1, 2022

Revise Article 250.07 of the Standard Specifications to read:

“250.07 Seeding Mixtures. The classes of seeding mixtures and combinations of mixtures will be designated in the plans.

When an area is to be seeded with two or more seeding classes, those mixtures shall be applied separately on the designated area within a seven day period. Seeding shall occur prior to placement of mulch cover. A Class 7 mixture can be applied at any time prior to applying any seeding class or added to them and applied at the same time.

TABLE 1 - SEEDING MIXTURES

Class - Type	Seeds	lb/acre (kg/hectare)
1 Lawn Mixture 1/	Kentucky Bluegrass	100 (110)
	Perennial Ryegrass	60 (70)
	<i>Festuca rubra</i> ssp. <i>rubra</i> (Creeping Red Fescue)	40 (50)
1A Salt Tolerant Lawn Mixture 1/	Kentucky Bluegrass	60 (70)
	Perennial Ryegrass	20 (20)
	<i>Festuca rubra</i> ssp. <i>rubra</i> (Creeping Red Fescue)	20 (20)
	<i>Festuca brevipila</i> (Hard Fescue)	20 (20)
	<i>Puccinellia distans</i> (Fulfs Saltgrass or Salty Alkaligrass)	60 (70)
1B Low Maintenance Lawn Mixture 1/	Turf-Type Fine Fescue 3/	150 (170)
	Perennial Ryegrass	20 (20)
	Red Top	10 (10)
	<i>Festuca rubra</i> ssp. <i>rubra</i> (Creeping Red Fescue)	20 (20)
2 Roadside Mixture 1/	<i>Lolium arundinaceum</i> (Tall Fescue)	100 (110)
	Perennial Ryegrass	50 (55)
	<i>Festuca rubra</i> ssp. <i>rubra</i> (Creeping Red Fescue)	40 (50)
	Red Top	10 (10)
2A Salt Tolerant Roadside Mixture 1/	<i>Lolium arundinaceum</i> (Tall Fescue)	60 (70)
	Perennial Ryegrass	20 (20)
	<i>Festuca rubra</i> ssp. <i>rubra</i> (Creeping Red Fescue)	30 (20)
	<i>Festuca brevipila</i> (Hard Fescue)	30 (20)
	<i>Puccinellia distans</i> (Fulfs Saltgrass or Salty Alkaligrass)	60 (70)
3 Northern Illinois Slope Mixture 1/	<i>Elymus canadensis</i> (Canada Wild Rye) 5/	5 (5)
	Perennial Ryegrass	20 (20)
	Alsike Clover 4/	5 (5)
	<i>Desmanthus illinoensis</i> (Illinois Bundleflower) 4/ 5/	2 (2)
	<i>Schizachyrium scoparium</i> (Little Bluestem) 5/	12 (12)
	<i>Bouteloua curtipendula</i> (Side-Oats Grama) 5/	10 (10)
	<i>Puccinellia distans</i> (Fulfs Saltgrass or Salty Alkaligrass)	30 (35)
	Oats, Spring	50 (55)
	Slender Wheat Grass 5/	15 (15)
	Buffalo Grass 5/ 7/	5 (5)
	3A Southern Illinois Slope Mixture 1/	Perennial Ryegrass
<i>Elymus canadensis</i> (Canada Wild Rye) 5/		20 (20)
<i>Panicum virgatum</i> (Switchgrass) 5/		10 (10)
<i>Schizachyrium scoparium</i> (Little Blue Stem) 5/		12 (12)
<i>Bouteloua curtipendula</i> (Side-Oats Grama) 5/		10 (10)
<i>Dalea candida</i> (White Prairie Clover) 4/ 5/		5 (5)
<i>Rudbeckia hirta</i> (Black-Eyed Susan) 5/		5 (5)
Oats, Spring		50 (55)

Class – Type	Seeds	lb/acre (kg/hectare)
4 Native Grass 2/ 6/	<i>Andropogon gerardi</i> (Big Blue Stem) 5/	4 (4)
	<i>Schizachyrium scoparium</i> (Little Blue Stem) 5/	5 (5)
	<i>Bouteloua curtipendula</i> (Side-Oats Grama) 5/	5 (5)
	<i>Elymus canadensis</i> (Canada Wild Rye) 5/	1 (1)
	<i>Panicum virgatum</i> (Switch Grass) 5/	1 (1)
	<i>Sorghastrum nutans</i> (Indian Grass) 5/	2 (2)
	Annual Ryegrass	25 (25)
	Oats, Spring	25 (25)
	Perennial Ryegrass	15 (15)
	4A Low Profile Native Grass 2/ 6/	<i>Schizachyrium scoparium</i> (Little Blue Stem) 5/
<i>Bouteloua curtipendula</i> (Side-Oats Grama) 5/		5 (5)
<i>Elymus canadensis</i> (Canada Wild Rye) 5/		1 (1)
<i>Sporobolus heterolepis</i> (Prairie Dropseed) 5/		0.5 (0.5)
Annual Ryegrass		25 (25)
Oats, Spring		25 (25)
Perennial Ryegrass		15 (15)
4B Wetland Grass and Sedge Mixture 2/ 6/		Annual Ryegrass
	Oats, Spring	25 (25)
	Wetland Grasses (species below) 5/	6 (6)
<u>Species:</u>		<u>% By Weight</u>
<i>Calamagrostis canadensis</i> (Blue Joint Grass)		12
<i>Carex lacustris</i> (Lake-Bank Sedge)		6
<i>Carex slipata</i> (Awl-Fruited Sedge)		6
<i>Carex stricta</i> (Tussock Sedge)		6
<i>Carex vulpinoidea</i> (Fox Sedge)		6
<i>Eleocharis acicularis</i> (Needle Spike Rush)		3
<i>Eleocharis obtusa</i> (Blunt Spike Rush)		3
<i>Glyceria striata</i> (Fowl Manna Grass)		14
<i>Juncus effusus</i> (Common Rush)		6
<i>Juncus tenuis</i> (Slender Rush)		6
<i>Juncus torreyi</i> (Torrey's Rush)		6
<i>Leersia oryzoides</i> (Rice Cut Grass)		10
<i>Scirpus acutus</i> (Hard-Stemmed Bulrush)		3
<i>Scirpus atrovirens</i> (Dark Green Rush)		3
<i>Bolboschoenus fluviatilis</i> (River Bulrush)		3
<i>Schoenoplectus tabernaemontani</i> (Softstem Bulrush)		3
<i>Spartina pectinata</i> (Cord Grass)		4

Class – Type	Seeds	lb/acre (kg/hectare)
5	Forb with Annuals Mixture 2/ 5/ 6/	Annuals Mixture (Below) Forb Mixture (Below)
		1 (1) 10 (10)
	Annuals Mixture - Mixture not exceeding 25 % by weight of any one species, of the following:	
	<i>Coreopsis lanceolata</i> (Sand Coreopsis) <i>Leucanthemum maximum</i> (Shasta Daisy) <i>Gaillardia pulchella</i> (Blanket Flower) <i>Ratibida columnifera</i> (Prairie Coneflower) <i>Rudbeckia hirta</i> (Black-Eyed Susan)	
	Forb Mixture - Mixture not exceeding 5 % by weight PLS of any one species, of the following:	
	<i>Amorpha canescens</i> (Lead Plant) 4/ <i>Anemone cylindrica</i> (Thimble Weed) <i>Asclepias tuberosa</i> (Butterfly Weed) <i>Aster azureus</i> (Sky Blue Aster) <i>Symphotrichum leave</i> (Smooth Aster) <i>Aster novae-angliae</i> (New England Aster) <i>Baptisia leucantha</i> (White Wild Indigo) 4/ <i>Coreopsis palmata</i> (Prairie Coreopsis) <i>Echinacea pallida</i> (Pale Purple Coneflower) <i>Eryngium yuccifolium</i> (Rattlesnake Master) <i>Helianthus mollis</i> (Downy Sunflower) <i>Heliopsis helianthoides</i> (Ox-Eye) <i>Liatris aspera</i> (Rough Blazing Star) <i>Liatris pycnostachya</i> (Prairie Blazing Star) <i>Monarda fistulosa</i> (Prairie Bergamot) <i>Parthenium integrifolium</i> (Wild Quinine) <i>Dalea candida</i> (White Prairie Clover) 4/ <i>Dalea purpurea</i> (Purple Prairie Clover) 4/ <i>Physostegia virginiana</i> (False Dragonhead) <i>Potentilla arguta</i> (Prairie Cinquefoil) <i>Ratibida pinnata</i> (Yellow Coneflower) <i>Rudbeckia subtomentosa</i> (Fragrant Coneflower) <i>Silphium laciniatum</i> (Compass Plant) <i>Silphium terebinthinaceum</i> (Prairie Dock) <i>Oligoneuron rigidum</i> (Rigid Goldenrod) <i>Tradescantia ohiensis</i> (Spiderwort) <i>Veronicastrum virginicum</i> (Culver's Root)	

Class – Type	Seeds	lb/acre (kg/hectare)
5A Large Flower Native Forb Mixture 2/ 5/ 6/	Forb Mixture (see below)	5 (5)
	<u>Species:</u>	<u>% By Weight</u>
	<i>Aster novae-angliae</i> (New England Aster)	5
	<i>Echinacea pallida</i> (Pale Purple Coneflower)	10
	<i>Helianthus mollis</i> (Downy Sunflower)	10
	<i>Heliopsis helianthoides</i> (Ox-Eye)	10
	<i>Liatris pycnostachya</i> (Prairie Blazing Star)	10
	<i>Ratibida pinnata</i> (Yellow Coneflower)	5
	<i>Rudbeckia hirta</i> (Black-Eyed Susan)	10
	<i>Silphium laciniatum</i> (Compass Plant)	10
	<i>Silphium terebinthinaceum</i> (Prairie Dock)	20
	<i>Oligoneuron rigidum</i> (Rigid Goldenrod)	10
5B Wetland Forb 2/ 5/ 6/	Forb Mixture (see below)	2 (2)
	<u>Species:</u>	<u>% By Weight</u>
	<i>Acorus calamus</i> (Sweet Flag)	3
	<i>Angelica atropurpurea</i> (Angelica)	6
	<i>Asclepias incarnata</i> (Swamp Milkweed)	2
	<i>Aster puniceus</i> (Purple Stemmed Aster)	10
	<i>Bidens cernua</i> (Beggarticks)	7
	<i>Eutrochium maculatum</i> (Spotted Joe Pye Weed)	7
	<i>Eupatorium perfoliatum</i> (Boneset)	7
	<i>Helenium autumnale</i> (Autumn Sneezeweed)	2
	<i>Iris virginica shrevei</i> (Blue Flag Iris)	2
	<i>Lobelia cardinalis</i> (Cardinal Flower)	5
	<i>Lobelia siphilitica</i> (Great Blue Lobelia)	5
	<i>Lythrum alatum</i> (Winged Loosestrife)	2
	<i>Physostegia virginiana</i> (False Dragonhead)	5
	<i>Persicaria pensylvanica</i> (Pennsylvania Smartweed)	10
	<i>Persicaria lapathifolia</i> (Curlytop Knotweed)	10
	<i>Pycnanthemum virginianum</i> (Mountain Mint)	5
	<i>Rudbeckia laciniata</i> (Cut-leaf Coneflower)	5
	<i>Oligoneuron riddellii</i> (Riddell Goldenrod)	2
	<i>Sparganium eurycarpum</i> (Giant Burreed)	5
6 Conservation Mixture 2/ 6/	<i>Schizachyrium scoparium</i> (Little Blue Stem) 5/ <i>Elymus canadensis</i> (Canada Wild Rye) 5/ Buffalo Grass 5/ 7/ Vernal Alfalfa 4/ Oats, Spring	5 (5) 2 (2) 5 (5) 15 (15) 48 (55)
6A Salt Tolerant Conservation Mixture 2/ 6/	<i>Schizachyrium scoparium</i> (Little Blue Stem) 5/ <i>Elymus canadensis</i> (Canada Wild Rye) 5/ Buffalo Grass 5/ 7/ Vernal Alfalfa 4/ Oats, Spring <i>Puccinellia distans</i> (Fults Saltgrass or Salty Alkaligrass)	5 (5) 2 (2) 5 (5) 15 (15) 48 (55) 20 (20)
7 Temporary Turf Cover Mixture	Perennial Ryegrass Oats, Spring	50 (55) 64 (70)

Notes:

- 1/ Seeding shall be performed when the ambient temperature has been between 45 °F (7 °C) and 80 °F (27 °C) for a minimum of seven (7) consecutive days and is forecasted to be the same for the next five (5) days according to the National Weather Service.
- 2/ Seeding shall be performed in late fall through spring beginning when the ambient temperature has been below 45 °F (7 °C) for a minimum of seven (7) consecutive days and ending when the ambient temperature exceeds 80 °F (27 °C) according to the National Weather Service.
- 3/ Specific variety as shown in the plans or approved by the Engineer.
- 4/ Inoculation required.
- 5/ Pure Live Seed (PLS) shall be used.
- 6/ Fertilizer shall not be used.
- 7/ Seed shall be primed with KNO_3 to break dormancy and dyed to indicate such.

Seeding will be inspected after a period of establishment. The period of establishment shall be six (6) months minimum, but not to exceed nine (9) months. After the period of establishment, areas not exhibiting 75 percent uniform growth shall be interseeded or reseeded, as determined by the Engineer, at no additional cost to the Department.”

80445

VEHICLE AND EQUIPMENT WARNING LIGHTS (BDE)

Effective: November 1, 2021

Revised: November 1, 2022

Add the following paragraph after the first paragraph of Article 701.08 of the Standard Specifications:

“The Contractor shall equip all vehicles and equipment with high-intensity oscillating, rotating, or flashing, amber or amber-and-white, warning lights which are visible from all directions. In accordance with 625 ILCS 5/12-215, the lights may only be in operation while the vehicle or equipment is engaged in construction operations.”

80439

Kendall County Prevailing Wage Rates posted on 4/15/2024

Trade Title	Rg	Type	C	Base	Foreman	Overtime					Pension	Vac	Trng	Other Ins	Add OT 1.5x owed	Add OT 2.0x owed
						M-F	Sa	Su	Hol	H/W						
ASBESTOS ABT-GEN	All	ALL		48.90	49.90	1.5	1.5	2.0	2.0	15.28	18.00	0.00	0.91		0.00	0.00
ASBESTOS ABT-MEC	All	BLD		40.59	43.84	1.5	1.5	2.0	2.0	15.22	15.16	0.00	0.88		2.80	5.60
BOILERMAKER	All	BLD		54.71	59.63	2.0	2.0	2.0	2.0	6.97	25.06	0.00	2.83		0.00	0.00
BRICK MASON	All	BLD		50.81	55.89	1.5	1.5	2.0	2.0	12.50	23.01	0.00	1.16	0.00	0.00	0.00
CARPENTER	All	ALL		53.51	55.51	1.5	1.5	2.0	2.0	12.29	25.77	1.20	0.81		0.00	0.00
CEMENT MASON	All	ALL		50.70	52.70	2.0	1.5	2.0	2.0	11.89	27.82	0.00	0.80	0.00	0.00	0.00
CERAMIC TILE FINISHER	All	BLD		45.62	45.62	1.5	1.5	2.0	2.0	12.75	15.64	0.00	1.04	0.00	0.00	0.00
CERAMIC TILE LAYER	All	BLD		53.14	58.14	1.5	1.5	2.0	2.0	12.75	19.41	0.00	1.12	0.00	0.00	0.00
COMMUNICATION TECHNICIAN	All	BLD		44.15	46.95	1.5	1.5	2.0	2.0	17.30	16.36	0.00	1.54	0.00	0.00	0.00
ELECTRIC PWR EQMT OP	All	ALL		50.82	69.34	1.5	1.5	2.0	2.0	7.25	14.22	0.00	1.52	1.52	8.63	17.26
ELECTRIC PWR GRNDMAN	All	ALL		39.04	69.34	1.5	1.5	2.0	2.0	7.25	10.93	0.00	1.17	1.17	6.63	13.27
ELECTRIC PWR LINEMAN	All	ALL		61.09	69.34	1.5	1.5	2.0	2.0	7.25	17.10	0.00	1.83	1.83	10.38	20.76
ELECTRIC PWR TRK DRV	All	ALL		40.46	69.34	1.5	1.5	2.0	2.0	7.25	11.33	0.00	1.21	1.21	6.87	13.75
ELECTRICIAN	All	BLD		53.32	57.57	1.5	1.5	2.0	2.0	18.05	19.93	0.00	1.87	0.00	0.00	0.00
ELEVATOR CONSTRUCTOR	All	BLD		65.12	73.26	2.0	2.0	2.0	2.0	16.08	20.56	5.20	0.70		0.00	0.00
GLAZIER	All	BLD		49.75	51.25	1.5	2.0	2.0	2.0	15.44	25.36	0.00	2.07	0.00	0.00	0.00
HEAT/FROST INSULATOR	All	BLD		54.12	57.37	1.5	1.5	2.0	2.0	15.22	17.86	0.00	0.88		4.15	8.30
IRON WORKER	N	ALL		51.00	56.10	2.0	2.0	2.0	2.0	13.81	28.79	0.00	1.00	0.00	0.00	0.00
IRON WORKER	S	ALL		49.00	53.90	2.0	2.0	2.0	2.0	13.81	29.18	0.00	1.00	0.00	0.00	0.00
LABORER	All	ALL		48.90	49.65	1.5	1.5	2.0	2.0	15.28	18.00	0.00	0.91		0.00	0.00
LATHER	All	ALL		53.51	55.51	1.5	1.5	2.0	2.0	12.29	25.77	1.20	0.81		0.00	0.00
MACHINIST	All	BLD		55.74	59.74	1.5	1.5	2.0	2.0	9.93	8.95	1.85	1.47		0.00	0.00
MARBLE FINISHER	All	ALL		38.75	52.46	1.5	1.5	2.0	2.0	12.50	20.95	0.00	0.66	0.00	0.00	0.00
MARBLE SETTER	All	BLD		49.96	54.96	1.5	1.5	2.0	2.0	12.50	22.31	0.00	0.85	0.00	0.00	0.00
MATERIAL TESTER I	All	ALL		38.90		1.5	1.5	2.0	2.0	15.28	18.00	0.00	0.91		0.00	0.00
MATERIALS TESTER II	All	ALL		43.90		1.5	1.5	2.0	2.0	15.28	18.00	0.00	0.91		0.00	0.00

Kendall County Prevailing Wage Rates posted on 4/15/2024

MILLWRIGHT	All	ALL		53.51	55.51	1.5	1.5	2.0	2.0	12.29	25.77	1.20	0.81		0.00	0.00
OPERATING ENGINEER	All	BLD	1	56.60	60.60	2.0	2.0	2.0	2.0	22.95	20.05	2.00	2.70		0.00	0.00
OPERATING ENGINEER	All	BLD	2	55.30	60.60	2.0	2.0	2.0	2.0	22.95	20.05	2.00	2.70		0.00	0.00
OPERATING ENGINEER	All	BLD	3	52.75	60.60	2.0	2.0	2.0	2.0	22.95	20.05	2.00	2.70		0.00	0.00
OPERATING ENGINEER	All	BLD	4	51.00	60.60	2.0	2.0	2.0	2.0	22.95	20.05	2.00	2.70		0.00	0.00
OPERATING ENGINEER	All	BLD	5	60.35	60.60	2.0	2.0	2.0	2.0	22.95	20.05	2.00	2.70		0.00	0.00
OPERATING ENGINEER	All	BLD	6	57.60	60.60	2.0	2.0	2.0	2.0	22.95	20.05	2.00	2.70		0.00	0.00
OPERATING ENGINEER	All	BLD	7	59.60	60.60	2.0	2.0	2.0	2.0	22.95	20.05	2.00	2.70		0.00	0.00
OPERATING ENGINEER	All	FLT		41.00	41.00	1.5	1.5	2.0	2.0	20.90	17.85	2.00	2.15		0.00	0.00
OPERATING ENGINEER	All	HWY	1	54.80	58.80	1.5	1.5	2.0	2.0	22.95	20.05	2.00	2.70		0.00	0.00
OPERATING ENGINEER	All	HWY	2	54.25	58.80	1.5	1.5	2.0	2.0	22.95	20.05	2.00	2.70		0.00	0.00
OPERATING ENGINEER	All	HWY	3	52.20	58.80	1.5	1.5	2.0	2.0	22.95	20.05	2.00	2.70		0.00	0.00
OPERATING ENGINEER	All	HWY	4	50.80	58.80	1.5	1.5	2.0	2.0	22.95	20.05	2.00	2.70		0.00	0.00
OPERATING ENGINEER	All	HWY	5	49.60	58.80	1.5	1.5	2.0	2.0	22.95	20.05	2.00	2.70		0.00	0.00
OPERATING ENGINEER	All	HWY	6	57.80	58.80	1.5	1.5	2.0	2.0	22.95	20.05	2.00	2.70		0.00	0.00
OPERATING ENGINEER	All	HWY	7	55.80	58.80	1.5	1.5	2.0	2.0	22.95	20.05	2.00	2.70		0.00	0.00
PAINTER	All	ALL		51.55	53.55	1.5	1.5	1.5	2.0	17.98	7.15	0.00	1.55	0.00	0.00	0.00
PAINTER - SIGNS	All	BLD		45.49	51.09	1.5	1.5	2.0	2.0	8.20	16.81	0.00	0.00	0.00	0.00	0.00
PILEDRIIVER	All	ALL		53.51	55.51	1.5	1.5	2.0	2.0	12.29	25.77	1.20	0.81		0.00	0.00
PIPEFITTER	All	BLD		55.00	58.00	1.5	1.5	2.0	2.0	12.65	22.85	0.00	3.12	0.00	0.00	0.00
PLASTERER	All	BLD		48.75	51.68	1.5	1.5	2.0	2.0	17.33	20.33	0.00	1.15	0.00	0.00	0.00
PLUMBER	All	BLD		56.80	60.20	1.5	1.5	2.0	2.0	17.00	17.29	0.00	1.73		0.00	0.00
ROOFER	All	BLD		49.25	54.25	1.5	1.5	2.0	2.0	11.83	16.14	0.00	1.11	0.00	0.00	0.00
SHEETMETAL WORKER	All	BLD		54.25	56.96	1.5	1.5	2.0	2.0	13.60	19.43	0.00	1.59	2.62	0.00	0.00
SPRINKLER FITTER	All	BLD		56.60	59.35	1.5	1.5	2.0	2.0	14.45	18.80	0.00	0.75	0.00	0.00	0.00
STONE MASON	All	BLD		50.81	55.89	1.5	1.5	2.0	2.0	12.50	23.01	0.00	1.16	0.00	0.00	0.00
SURVEY WORKER	All	BLD		48.90	49.65	1.5	1.5	2.0	2.0	15.28	18.00	0.00	0.91	0.00	0.00	0.00
SURVEY WORKER	All	HWY		48.90	49.65	1.5	1.5	2.0	2.0	15.28	18.00	0.00	0.91	0.00	0.00	0.00
TERRAZZO FINISHER	All	BLD		46.94	46.94	1.5	1.5	2.0	2.0	12.75	17.73	0.00	1.07	0.00	0.00	0.00
TERRAZZO MECHANIC	All	BLD		50.85	54.35	1.5	1.5	2.0	2.0	12.75	19.12	0.00	1.10	0.00	0.00	0.00

Kendall County Prevailing Wage Rates posted on 4/15/2024

TRUCK DRIVER	All	ALL	1	43.70	44.25	1.5	1.5	2.0	2.0	11.15	13.26	0.00	0.15	0.00	0.00	0.00
TRUCK DRIVER	All	ALL	2	43.85	44.25	1.5	1.5	2.0	2.0	11.15	13.26	0.00	0.15	0.00	0.00	0.00
TRUCK DRIVER	All	ALL	3	44.05	44.25	1.5	1.5	2.0	2.0	11.15	13.26	0.00	0.15	0.00	0.00	0.00
TRUCK DRIVER	All	ALL	4	44.25	44.25	1.5	1.5	2.0	2.0	11.15	13.26	0.00	0.15	0.00	0.00	0.00
TUCKPOINTER	All	BLD		50.53	51.53	1.5	1.5	2.0	2.0	9.55	21.72	0.00	1.11	0.00	0.00	0.00

Legend

Rg Region

Type Trade Type - All,Highway,Building,Floating,Oil & Chip,Rivers

C Class

Base Base Wage Rate

OT M-F Unless otherwise noted, OT pay is required for any hour greater than 8 worked each day, Mon through Fri. The number listed is the multiple of the base wage.

OT Sa Overtime pay required for every hour worked on Saturdays

OT Su Overtime pay required for every hour worked on Sundays

OT Hol Overtime pay required for every hour worked on Holidays

H/W Health/Welfare benefit

Vac Vacation

Trng Training

Other Ins Employer hourly cost for any other type(s) of insurance provided for benefit of worker.

Explanations KENDALL COUNTY

The following list is considered as those days for which holiday rates of wages for work performed apply: New Years Day, Memorial Day, Fourth of July, Labor Day, Thanksgiving Day, Christmas Day and Veterans Day in some classifications/counties. Generally, any of these holidays which fall on a Sunday is celebrated on the following Monday. This then makes work performed on that Monday payable at the appropriate overtime rate for holiday pay. Common practice in a given local may alter certain days of celebration. If in doubt, please check with IDOL.

Iron Workers North - Starting from the Will County and Kendall County border at Rt. 126 and County Line Road. Follow Rt. 126 West to Grove Road. Grove Road South to Caton Farm Road. Caton Farm Road West to Lisbon Road. Lisbon Road South to Route 52. Rt. 52 West to County Line Road at the LaSalle / Kendall County Line.

EXPLANATION OF CLASSES

ASBESTOS - GENERAL - removal of asbestos material/mold and hazardous materials from any place in a building, including mechanical systems where those mechanical systems are to be removed. This includes the removal of asbestos materials/mold and hazardous materials from ductwork or pipes in a building when the building is to be demolished at the time or at some close future date.

Kendall County Prevailing Wage Rates posted on 4/15/2024

ASBESTOS - MECHANICAL - removal of asbestos material from mechanical systems, such as pipes, ducts, and boilers, where the mechanical systems are to remain. CERAMIC TILE FINISHER

The grouting, cleaning, and polishing of all classes of tile, whether for interior or exterior purposes, all burned, glazed or unglazed products; all composition materials, granite tiles, warning detectable tiles, cement tiles, epoxy composite materials, pavers, glass, mosaics, fiberglass, and all substitute materials, for tile made in tile-like units; all mixtures in tile like form of cement, metals, and other materials that are for and intended for use as a finished floor surface, stair treads, promenade roofs, walks, walls, ceilings, swimming pools, and all other places where tile is to form a finished interior or exterior. The mixing of all setting mortars including but not limited to thin-set mortars, epoxies, wall mud, and any other sand and cement mixtures or adhesives when used in the preparation, installation, repair, or maintenance of tile and/or similar materials. The handling and unloading of all sand, cement, lime, tile, fixtures, equipment, adhesives, or any other materials to be used in the preparation, installation, repair, or maintenance of tile and/or similar materials. Ceramic Tile Finishers shall fill all joints and voids regardless of method on all tile work, particularly and especially after installation of said tile work. Application of any and all protective coverings to all types of tile installations including, but not be limited to, all soap compounds, paper products, tapes, and all polyethylene coverings, plywood, masonite, cardboard, and any new type of products that may be used to protect tile installations, Blastrac equipment, and all floor scarifying equipment used in preparing floors to receive tile. The clean up and removal of all waste and materials. All demolition of existing tile floors and walls to be re-tiled.

COMMUNICATIONS TECHNICIAN

Construction, installation, maintenance and removal of telecommunication facilities (voice, sound, data and video), telephone, security, and data inside wire, interconnect, terminal equipment, central offices, PABX and equipment, micro waves, V-SAT, bypass, CATV, WAN (wide area network), LAN (local area networks), and ISDN (integrated system digital network), pulling of wire in raceways, but not the installation of raceways.

MARBLE FINISHER

Loading and unloading trucks, distribution of all materials (all stone, sand, etc.), stocking of floors with material, performing all rigging for heavy work, the handling of all material that may be needed for the installation of such materials, building of scaffolding, polishing if needed, patching, waxing of material if damaged, pointing up, caulking, grouting and cleaning of marble, holding water on diamond or Carborundum blade or saw for setters cutting, use of tub saw or any other saw needed for preparation of material, drilling of holes for wires that anchor material set by setters, mixing up of molding plaster for installation of material, mixing up thin set for the installation of material, mixing up of sand to cement for the installation of material and such other work as may be required in helping a Marble Setter in the handling of all material in the erection or installation of interior marble, slate, travertine, art marble, serpentine, alberene stone, blue stone, granite and other stones (meaning as to stone any foreign or domestic materials as are specified and used in building interiors and exteriors and customarily known as stone in the trade), carrara, sanionyx, vitrolite and similar opaque glass and the laying of all marble tile, terrazzo tile, slate tile and precast tile, steps, risers treads, base, or any other materials that may be used as substitutes for any of the aforementioned materials and which are used on interior and exterior which are installed in a similar manner.

MATERIAL TESTER I: Hand coring and drilling for testing of materials; field inspection of uncured concrete and asphalt.

Kendall County Prevailing Wage Rates posted on 4/15/2024

MATERIAL TESTER II: Field inspection of welds, structural steel, fireproofing, masonry, soil, facade, reinforcing steel, formwork, cured concrete, and concrete and asphalt batch plants; adjusting proportions of bituminous mixtures.

OPERATING ENGINEER - BUILDING

Class 1. Asphalt Plant; Asphalt Spreader; Autograde; Backhoes with Caisson Attachment; Batch Plant; Benoto (requires Two Engineers); Boiler and Throttle Valve; Caisson Rigs; Central Redi-Mix Plant; Combination Back Hoe Front End-loader Machine; Compressor and Throttle Valve; Concrete Breaker (Truck Mounted); Concrete Conveyor; Concrete Conveyor (Truck Mounted); Concrete Paver Over 27E cu. ft; Concrete Paver 27E cu. ft. and Under; Concrete Placer; Concrete Placing Boom; Concrete Pump (Truck Mounted); Concrete Tower; Cranes, All; Cranes, Hammerhead; Cranes, (GCI and similar Type); Creter Crane; Spider Crane; Crusher, Stone, etc.; Derricks, All; Derricks, Traveling; Formless Curb and Gutter Machine; Grader, Elevating; Grouting Machines; Heavy Duty Self-Propelled Transporter or Prime Mover; Highlift Shovels or Front Endloader 2-1/4 yd. and over; Hoists, Elevators, outside type rack and pinion and similar machines; Hoists, One, Two and Three Drum; Hoists, Two Tugger One Floor; Hydraulic Backhoes; Hydraulic Boom Trucks; Hydro Vac (and similar equipment); Locomotives, All; Motor Patrol; Lubrication Technician; Manipulators; Pile Drivers and Skid Rig; Post Hole Digger; Pre-Stress Machine; Pump Cretes Dual Ram; Pump Cretes: Squeeze Cretes-Screw Type Pumps; Gypsum Bulker and Pump; Raised and Blind Hole Drill; Roto Mill Grinder; Scoops - Tractor Drawn; Slip-Form Paver; Straddle Buggies; Operation of Tie Back Machine; Tournapull; Tractor with Boom and Side Boom; Trenching Machines.

Class 2. Boilers; Broom, All Power Propelled; Bulldozers; Concrete Mixer (Two Bag and Over); Conveyor, Portable; Forklift Trucks; Highlift Shovels or Front Endloaders under 2-1/4 yd.; Hoists, Automatic; Hoists, Inside Elevators; Hoists, Sewer Dragging Machine; Hoists, Tugger Single Drum; Laser Screed; Rock Drill (Self-Propelled); Rock Drill (Truck Mounted); Rollers, All; Steam Generators; Tractors, All; Tractor Drawn Vibratory Roller; Winch Trucks with "A" Frame.

Class 3. Air Compressor; Combination Small Equipment Operator; Generators; Heaters, Mechanical; Hoists, Inside Elevators (remodeling or renovation work); Hydraulic Power Units (Pile Driving, Extracting, and Drilling); Pumps, over 3" (1 to 3 not to exceed a total of 300 ft.); Low Boys; Pumps, Well Points; Welding Machines (2 through 5); Winches, 4 Small Electric Drill Winches.

Class 4. Bobcats and/or other Skid Steer Loaders; Oilers; and Brick Forklift.

Class 5. Assistant Craft Foreman.

Class 6. Gradall.

Class 7. Mechanics; Welder.

OPERATING ENGINEERS - HIGHWAY CONSTRUCTION

Class 1. Asphalt Plant; Asphalt Heater and Planer Combination; Asphalt Heater Scarfire; Asphalt Spreader; Autograder/GOMACO or other similar type machines: ABG Paver; Backhoes with Caisson Attachment; Ballast Regulator; Belt Loader; Caisson Rigs; Car Dumper; Central Redi-Mix Plant; Combination Backhoe Front Endloader Machine, (1 cu. yd. Backhoe Bucket or over or with attachments); Concrete Breaker (Truck Mounted); Concrete Conveyor; Concrete Paver over 27E cu. ft.; Concrete Placer; Concrete Tube Float; Cranes, all attachments; Cranes, Tower Cranes of all types: Creter Crane: Spider Crane; Crusher, Stone, etc.; Derricks,

Kendall County Prevailing Wage Rates posted on 4/15/2024

All; Derrick Boats; Derricks, Traveling; Dredges; Elevators, Outside type Rack & Pinion and Similar Machines; Formless Curb and Gutter Machine; Grader, Elevating; Grader, Motor Grader, Motor Patrol, Auto Patrol, Form Grader, Pull Grader, Subgrader; Guard Rail Post Driver Truck Mounted; Hoists, One, Two and Three Drum; Heavy Duty Self-Propelled Transporter or Prime Mover; Hydraulic Backhoes; Backhoes with shear attachments up to 40' of boom reach; Lubrication Technician; Manipulators; Mucking Machine; Pile Drivers and Skid Rig; Pre-Stress Machine; Pump Cretes Dual Ram; Rock Drill - Crawler or Skid Rig; Rock Drill - Truck Mounted; Rock/Track Tamper; Roto Mill Grinder; Slip-Form Paver; Snow Melters; Soil Test Drill Rig (Truck Mounted); Straddle Buggies; Hydraulic Telescoping Form (Tunnel); Operation of Tieback Machine; Tractor Drawn Belt Loader; Tractor Drawn Belt Loader (with attached pusher - two engineers); Tractor with Boom; Tractaire with Attachments; Traffic Barrier Transfer Machine; Trenching; Truck Mounted Concrete Pump with Boom; Raised or Blind Hole Drills (Tunnel Shaft); Underground Boring and/or Mining Machines 5 ft. in diameter and over tunnel, etc; Underground Boring and/or Mining Machines under 5 ft. in diameter; Wheel Excavator; Widener (APSCO).

Class 2. Batch Plant; Bituminous Mixer; Boiler and Throttle Valve; Bulldozers; Car Loader Trailing Conveyors; Combination Backhoe Front Endloader Machine (Less than 1 cu. yd. Backhoe Bucket or over or with attachments); Compressor and Throttle Valve; Compressor, Common Receiver (3); Concrete Breaker or Hydro Hammer; Concrete Grinding Machine; Concrete Mixer or Paver 7S Series to and including 27 cu. ft.; Concrete Spreader; Concrete Curing Machine, Burlap Machine, Belting Machine and Sealing Machine; Concrete Wheel Saw; Conveyor Muck Cars (Haglund or Similar Type); Drills, All; Finishing Machine - Concrete; Highlift Shovels or Front Endloader; Hoist - Sewer Dragging Machine; Hydraulic Boom Trucks (All Attachments); Hydro-Blaster; Hydro Excavating (excluding hose work); Laser Screed; All Locomotives, Dinky; Off-Road Hauling Units (including articulating) Non Self-Loading Ejection Dump; Pump Cretes: Squeeze Cretes - Screw Type Pumps, Gypsum Bulker and Pump; Roller, Asphalt; Rotary Snow Plows; Rototiller, Seaman, etc., self-propelled; Self-Propelled Compactor; Spreader - Chip - Stone, etc.; Scraper - Single/Twin Engine/Push and Pull; Scraper - Prime Mover in Tandem (Regardless of Size); Tractors pulling attachments, Sheeps Foot, Disc, Compactor, etc.; Tug Boats.

Class 3. Boilers; Brooms, All Power Propelled; Cement Supply Tender; Compressor, Common Receiver (2); Concrete Mixer (Two Bag and Over); Conveyor, Portable; Farm-Type Tractors Used for Mowing, Seeding, etc.; Forklift Trucks; Grouting Machine; Hoists, Automatic; Hoists, All Elevators; Hoists, Tugger Single Drum; Jeep Diggers; Low Boys; Pipe Jacking Machines; Post-Hole Digger; Power Saw, Concrete Power Driven; Pug Mills; Rollers, other than Asphalt; Seed and Straw Blower; Steam Generators; Stump Machine; Winch Trucks with "A" Frame; Work Boats; Tamper-Form-Motor Driven.

Class 4. Air Compressor; Combination - Small Equipment Operator; Directional Boring Machine; Generators; Heaters, Mechanical; Hydraulic Power Unit (Pile Driving, Extracting, or Drilling); Light Plants, All (1 through 5); Pumps, over 3" (1 to 3 not to exceed a total of 300 ft.); Pumps, Well Points; Vacuum Trucks (excluding hose work); Welding Machines (2 through 5); Winches, 4 Small Electric Drill Winches.

Class 5. SkidSteer Loader (all); Brick Forklifts; Oilers.

Class 6. Field Mechanics and Field Welders

Class 7. Dowell Machine with Air Compressor; Gradall and machines of like nature.

OPERATING ENGINEERS - FLOATING

Kendall County Prevailing Wage Rates posted on 4/15/2024

Diver, Diver Wet Tender, Diver Tender, ROV Pilot, ROV Tender

SURVEY WORKER

Operates survey equipment (such as levels, transits, data collectors, GPS and robotic total stations) for the purpose of performing construction layout and/or grade checking.

SURVEY FOREMAN

Operates survey equipment (such as levels, transits, data collectors, GPS and robotic total stations) for the purpose of performing construction layout and/or grade checking; oversees survey crew operations; and/or coordinates work of survey crews.

TRUCK DRIVER - BUILDING, HEAVY AND HIGHWAY CONSTRUCTION

Class 1. Two or three Axle Trucks. A-frame Truck when used for transportation purposes; Air Compressors and Welding Machines, including those pulled by cars, pick-up trucks and tractors; Ambulances Batch Gate Lockers; Batch Hopperman; Car and Truck Washers; Carry-alls; Fork Lifts and Hoisters; Helpers; Mechanics Helpers and Greasers; Oil Distributors 2-man operation; Pavement Breakers; Pole Trailer, up to 40 feet; Power Mower Tractors; Self-propelled Chip Spreader; Skipman; Slurry Trucks, 2-man operation; Slurry Truck Conveyor Operation, 2 or 3 man; Teamsters; Unskilled Dumpman; and Truck Drivers hauling warning lights, barricades, and portable toilets on the job site.

Class 2. Four axle trucks; Dump Crets and Adgetors under 7 yards; Dumpsters, Track Trucks, Euclids, Hug Bottom Dump Turnapulls or Turnatrailers when pulling other than self-loading equipment or similar equipment under 16 cubic yards; Mixer Trucks under 7 yards; Ready-mix Plant Hopper Operator, and Winch Trucks, 2 Axles.

Class 3. Five axle trucks; Dump Crets and Adgetors 7 yards and over; Dumpsters, Track Trucks, Euclids, Hug Bottom Dump Turnatrailers or turnapulls when pulling other than self-loading equipment or similar equipment over 16 cubic yards; Explosives and/or Fission Material Trucks; Mixer Trucks 7 yards or over; Mobile Cranes while in transit; Oil Distributors, 1-man operation; Pole Trailer, over 40 feet; Pole and Expandable Trailers hauling material over 50 feet long; Slurry trucks, 1-man operation; Winch trucks, 3 axles or more; Mechanic--Truck Welder and Truck Painter.

Class 4. Six axle trucks; Dual-purpose vehicles, such as mounted crane trucks with hoist and accessories; Foreman; Master Mechanic; Self-loading equipment like P.B. and trucks with scoops on the front.

TERRAZZO FINISHER

The handling of sand, cement, marble chips, and all other materials that may be used by the Mosaic Terrazzo Mechanic, and the mixing, grinding, grouting, cleaning and sealing of all Marble, Mosaic, and Terrazzo work, floors, base, stairs, and wainscoting by hand or machine, and in addition, assisting and aiding Marble, Masonic, and Terrazzo Mechanics.

Other Classifications of Work:

For definitions of classifications not otherwise set out, the Department generally has on file such definitions which are available. If

Kendall County Prevailing Wage Rates posted on 4/15/2024

a task to be performed is not subject to one of the classifications of pay set out, the Department will upon being contacted state which neighboring county has such a classification and provide such rate, such rate being deemed to exist by reference in this document. If no neighboring county rate applies to the task, the Department shall undertake a special determination, such special determination being then deemed to have existed under this determination. If a project requires these, or any classification not listed, please contact IDOL at 217-782-1710 for wage rates or clarifications.

LANDSCAPING

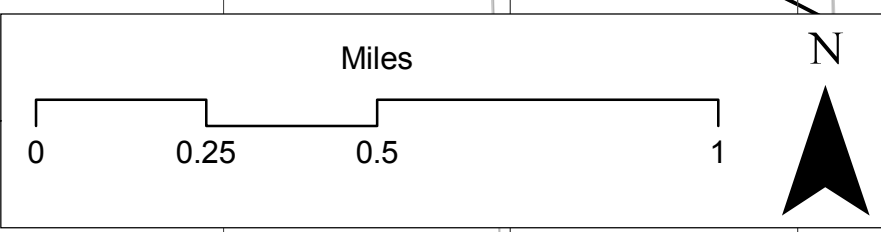
Landscaping work falls under the existing classifications for laborer, operating engineer and truck driver. The work performed by landscape plantsman and landscape laborer is covered by the existing classification of laborer. The work performed by landscape operators (regardless of equipment used or its size) is covered by the classifications of operating engineer. The work performed by landscape truck drivers (regardless of size of truck driven) is covered by the classifications of truck driver.

MATERIAL TESTER & MATERIAL TESTER/INSPECTOR I AND II

Notwithstanding the difference in the classification title, the classification entitled "Material Tester I" involves the same job duties as the classification entitled "Material Tester/Inspector I". Likewise, the classification entitled "Material Tester II" involves the same job duties as the classification entitled "Material Tester/Inspector II".

Kendall County Prevailing Wage Rates posted on 4/15/2024

2nd St	60 Chesapeake Ln	100 Grande Trail Ct	72 Mayfield Ct	21 Sequoia Ct	120
Abbeyleafe Dr	189 Cheshire Ln	166 Grande Trl	72 Mayfield Ct	21 Sequoia Ct	120
Ardmore Dr	100 Cheshire Ln	18 Cheshire Trl	78 McGrath Dr	66 Settlers Ln	176
Adams St	189 Chesterfield Ct	62 Grantham Ln	19 McEwen Dr	158 Shadow Ct	99
Addicks Rd	60 Chesterfield Ct	61 Grapevine Trl	21 Meadows Ct	34 Shadowbrook Ct	79
Affirmed Ave	80 Chicago Rd	141 Grays Ct	46 Meadowood Ln	55 Shadowbrook Ct	29
Afon Dr	13 Chipmunk Dr	77 Grays Dr	47 Grays Ct	13 Shell Ct	41
Alex Ct	35 Chipmunk Dr	57 Greenfield Rd	26 Merlot Ct	21 Shenandoah Dr	36
Alexander Ct	45 Christian Ct	189 Greenway Dr	33 Greenview Ln	61 Medina Dr	43
Alliance King	54 Churchill Ln	117 Greenwood Pl	98 Greenwood Pl	41 Millerburg St	49
Allington Ct	100 Churchhill Ln	96 Grove Rd	119 Millstream Ln	57 Shore Dr	41
Amesbury Rd	28 Ciderford Ct	62 Guilford Rd	157 Minkler Rd	157 Sierra Rd	28
Amethyst Ln	117 Ciderford Dr	62 H	26 Mist Dr	59 Silver Charm Dr	49
Amherst Cir	119 Circle Ct	44 Hackney Ln	141 Mitchell Dr	35 Simey Ct	99
Amherst Ct	119 Circle Dr	25 Half Hollow Ct	19 Mondov Dr	46 Somers Rd	43
Anchorage Ct	25 Clearidge Dr	118 Half Moon Ct	378 Monroe St	13 Sorora Dr	13
Anchor Dr	141 Clarion Ct	117 Half Round Rd	161 Morgan Creek Ct	179 Southbury Blvd	80
Anderson Ct	49 Clark Ave	26 Hampton Rd	27 Morgan Valley Dr	50 Southern Dr	150
Anna Maria Ln	54 Clay Ct	28 Hartwood Dr	55 Mussingher Rd	55 Sparker Ct	50
Anthon Ct	45 Clearwater Ct	58 Hanover Ct	15 Mistic Ct	140 Spencer Ln	142
Antelam Ct	36 Clearwater Ln	57 Harbor Dr	15 Nyc Ct	80 Spies Dr	49
Apollon Ln	49 Club House Ln	55 Harlan Ave	41 N Au Say Ct	189 Springfield Trl	30
Arbor Ct	74 Cobblestone Ct	14 Harrison St	77 Newport Cr	47 Springdale Rd	13
Arboretum Way	118 Codorus Rd	26 Hartfort Ct	13 North St	77 Spruce Trl	75
Arboretum Way Station Dr	718 Colchester Dr	80 Harvey Rd	34 Northampton Dr	43 St George Ln	40
Arwood Dr	69 Cole Ave	64 Hawthorn Ct	94 Northgate Ct	56 Suffolk Ct	17
Ash Grove Ln	56 Colony Ct	156 Hawthorne Dr	53 Northgate Ct	96 Steeplechase Blvd	49
Ashcroft Ct	119 Columbus Dr	40 Heathwood Dr	19 Norway Pl	71 Stephens Rd	160
Ashcroft Ln	48 Heathgate Rd	40 Heathwood Dr	55 Nottingham Ct	64 St George Ln	59
Ashland St	77 Concord Ct	21 Hedgerow Ct	118 O	59 Stonehill Rd	79
Ashlawn Ave	43 Concord Dr	21 Hedgerow Ln	118 O	156 Stoneleigh Ln	49
Ashley Ct	46 Conroy Ave	120 Oakwood Dr	35 Na Au Say Ct	120 Oak Hill Dr	99
Ashley Way	41 Coolidge Pl	75 Hemlock Ln	120 Oaklawn Ave	60 Stonewater Ln	57
Auburn Dr	64 Cornell Dr	30 Heritage Dr	30 Oakwood Dr	60 Stratford Rd	28
Aurora Rd	41 Cottonmaster Ave	120 Herren Ln	94 Oben Way	73 Sudbury Dr	140
Avon Ct	13 Crotcher Rd	35 Highway Ct	57 Old Post Rd	126 Sunshine Ct	34
B	65 Council Ave	35 Highline Ct	97 Old Post Rd	28 Surrey Rd	28
Baden Ct	58 Country Rd	156 Highway Ct	58 Old Reserve Rd	22 T	
Badger Ct	69 County Rd	156 Highway Ct	58 Old Reserve Rd	22 T	
Bader Ln	69 County Rd	156 Highway Ct	58 Old Reserve Rd	22 T	
Badley Ct	63 Cranston Cir	72 Hillstone Rd	26 Oaage Ct	75 Taft Dr	178
Barclay Ct	63 Cranston Cir	72 Hillstone Rd	26 Oaage Ct	75 Taft Dr	178
Barclay Ct	63 Cranston Cir	72 Hillstone Rd	26 Oaage Ct	75 Taft Dr	178
Barclay Ct	63 Cranston Cir	72 Hillstone Rd	26 Oaage Ct	75 Taft Dr	178
Barclay Ct	63 Cranston Cir	72 Hillstone Rd	26 Oaage Ct	75 Taft Dr	178
Barclay Ct	63 Cranston Cir	72 Hillstone Rd	26 Oaage Ct	75 Taft Dr	178



Date Created: 6/6/2014

The requested map will be created for study purposes only. Please refer to the official recorded plat or deeds for the actual legal descriptions and property dimensions. No liability is assumed for the accuracy of the data delineated herein, either expressed or implied by the Village of Oswego or its employees. This work is protected by the United States Copyright Act of 1976 (17 U.S.C. § 106). You are not permitted to use and/or reproduce any part of a copyrighted work of the Village of Oswego in violation of Federal Copyright Law. Doing so may result in prosecution under such law. If you wish to use property within which the Village of Oswego owns a copyright, you must obtain written permission through the Community Development Department in the Village of Oswego, located at 100 Parkers Hill, Oswego, Illinois 60533.

GENERAL NOTES

WORK HOURS

The Contractor must adhere to the Village ordinance work time schedule between the hours of 7:00 a.m. to 7:00 p.m. from Monday through Friday. No work may be performed prior or beyond this period without prior written approval from the Village.

WATER SUPPLY

The indiscriminate use of fire hydrants, existing streams, creeks, wetlands, or ponds is strictly prohibited. The Contractor shall provide a water truck and driver as required to obtain and transport this water. The Contractor shall be responsible for obtaining water from an approved source. If this water is from a source other than his yard, written approval from the agency having jurisdiction for the source of the water must be received by the Contractor prior to use of the water.

PRECONSTRUCTION CONFERENCE

A preconstruction conference shall be held at the Village of Oswego Public Works. The progress schedule shall be reviewed at that time. In addition, the Contractor shall provide a list of the intended source of materials and the intended list of subcontractors to be used with respect to the subject project.

APPLICATION FOR PAYMENT

Application for payment to the Contractor shall be in accordance with the Standard Specifications and these Special Provisions. The Contractor will prepare invoices not more than once monthly.

The Contractor shall procure from each subcontractor and supplier of material or labor a waiver of any claim which they may have under the mechanics lien laws of the state in which the work is located, to insure the Village immunity from mechanics liens on subcontractors in carrying out the contract and any work orders for additions thereto, all as a condition of any payment by the Village. Any payments made by the Village without requiring compliance with this paragraph shall not be construed as a Waiver by the Village of the right to require compliance with this paragraph as a condition to later payments.

The Contractor shall submit Partial Waivers of Lien from all subcontractors and suppliers with each partial payment estimate and Contractor's Affidavit for subcontractors and suppliers with second payment request for the previous payment estimates and then with all subsequent payment estimates. The Contractor shall furnish with his final application for payment a complete release of all liens arising out of this contract, or receipts in full in lieu thereof and an affidavit that the releases and receipts include all labor and material for which a lien could be filed.

SUPPLEMENTAL SIGNS

NO PARKING SIGNS

The Contractor shall be responsible for keeping vehicles off the streets as needed for the project. The Contractor shall install and maintain temporary signs in the parkway twenty-four (24) hours prior to starting work on each street. The signs shall read "NO PARKING, 7:00 AM – 7:00 PM" and state the day or days of the week work will be done. Immediately following each stage of work on each street, the Contractor shall remove the signs and reinstall them as needed.

FRESH OIL SIGNS

The Contractor shall be responsible for posting 'FRESH OIL' signs (48" X 48" minimum) as needed for the project. The Contractor shall install and maintain temporary signs in the parkway twenty-four (24) hours prior to placing prime coat on each street. The signs shall read "FRESH OIL, TRAVEL AT YOUR OWN RISK". The Contractor shall remove the signs and reinstall them as needed.

ROAD CONSTRUCTION AHEAD SIGNS

The Contractor shall be responsible for posting 'ROAD CONSTRUCTION AHEAD' signs (48" X 48" minimum) as needed for the project. The Contractor shall install and maintain temporary signs in the

parkway seventy-two (72) hours prior to beginning work in a particular area or subdivision. The Contractor shall remove the signs and reinstall them as needed.

If construction and maintenance sign installation is not completed as specified above or as requested by the Engineer or the Village, liquidated damages in the amount of \$500.00 per day will be assessed. This work shall be considered incidental to the contract.

DEBRIS REMOVAL

Materials resulting from the removal of asphalt surfaces, pavement patching, etc. shall be removed at the end of each day to an approved site. In the judgment of the Village, should it be necessary to remove such materials, the Village will have the material removed and the Contractor shall have the dollar amount reduced from the next pay estimate.

STREET SWEEPING & PREPARATION

The Contractor shall be responsible for sweeping and cleaning streets of any debris and material that has accumulated as a result of the construction activity. A mechanical sweeper, mechanically driven air and handwork with shovel and broom shall be utilized to provide a clean street for the motoring public. If street sweeping is not completed as requested by the Engineer or the Village, liquidated damages in the amount of \$500.00 per day will be assessed. This work shall be considered incidental to the contract.

PROTECTION AND RESTORATION OF PROPERTY

The Contractor shall take all necessary precautions for the protection of public and private property. The Contractor is responsible for the damage or destruction of property resulting from neglect, misconduct, or omission in his/her manner of method of execution or non-execution of the work or caused by defective work, or the use of unsatisfactory materials or equipment, and such responsibility shall not be released until the work has been completed and accepted and the requirements of these specifications complied with.

Whenever public or private property is so damaged or destroyed, the Contractor shall, at his/her expense, restore such property to a condition equal to that which existed prior to such damage or injury by repairing, rebuilding, or replacing it as may be directed, or he/she shall otherwise make good such damage or destruction in an acceptable manner. If he/she fails to do so, the Village will withhold any payouts toward completed work until arrangements are made to correct any damage as described above.

CLEAN CONSTRUCTION AND DEMOLITION DEBRIS

In addition to the requirements of Section 107.01 of the Standard Specifications, the Contractor shall be responsible for the proper removal and disposal of excavated materials from the project site. The Contractor will meet all requirements set forth by the IEPA and Public Act 96-1416 for Clean Construction and Demolition Debris which may include, but not limited to, field and laboratory analyses, certification from a licensed Professional Engineer, dumping fees and documentation. This work shall not be paid for separately, but will be included in the cost of the contract. No additional compensation will be allowed.

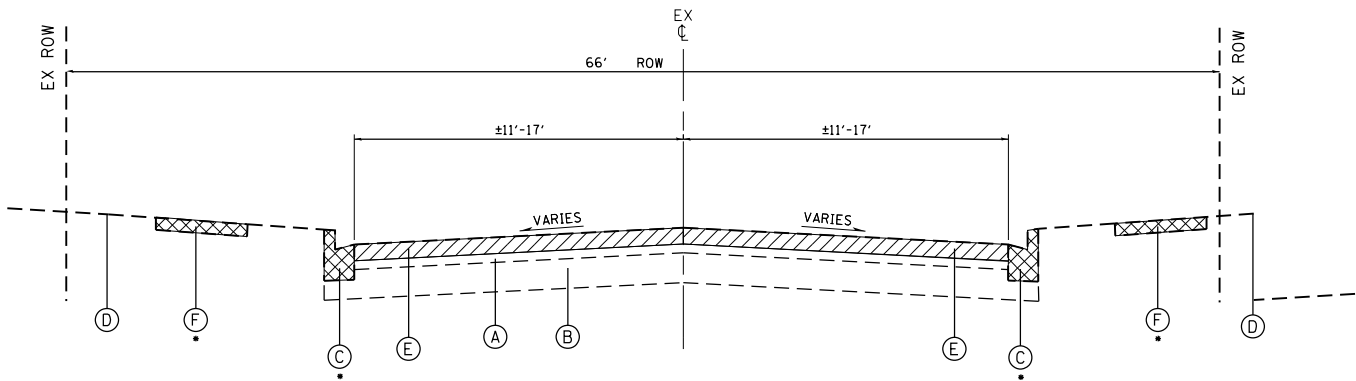
DUST CONTROL WATERING

This work shall consist of the exclusive control of dust resulting from construction operations and is not intended for use in the compaction of earth embankments, as specified under Article 107.36 of the Standard Specifications. Dust shall be controlled by the uniform application of sprinkled water and shall be applied only when directed by the Engineer, in a manner meeting his approval. All equipment used for this work shall meet the Engineer's approval and shall be equipped with adequate measuring devices for metering the exact amount of water discharged. This work shall include furnishing all labor, water and equipment for controlling dust as herein specified.

This work will not be paid for separately, but will be included in the unit bid prices for various items of work included in the contract.

**SCHEDULE OF QUANTITIES
VILLAGE OF OSWEGO
2024 RESURFACING PROGRAM**

ROADWAY NAME	Wolfs Crossing	Washington Street	Village Hall	Waterbury Circle	Southbury Blvd	North Adams Street	Queen Drive	Homeview Drive	Fifth Street	Bluegrass Parkway	Knights Bridge Court	Dancer Lane	Silver Charm Drive	McGrath Drive	Risen Star Lane	Majestic Lane	Chesapeake Lane	Morgan Valley Drive	Path Patching		
ROADWAY LIMITS				Ogden Falls Blvd to Ogden Falls Blvd	Wolfs Crossing to Colchester Dr	Waubonsie Creek bridge to Rte 25	Bohannon Cir to Bohannon Cir	Bohannon Cir to Bohannon Cir	Yoakum Blvd to Bluegrass Pkwy	Fifth St to Preakness Dr	Waubonsie Circle Dr to south end	Bluegrass Pkwy to Chesapeake Ln	Bluegrass Pkwy to Majestic Ln	Dancer Ln to east end	Dancer Ln to Majestic Ln	Bluegrass Pkwy to McGrath Dr	Fifth St to Majestic Ln	Grove Rd to Collins Rd	Mill Road Path Heatherwood Dr Path		
LENGTH (FOOT)	-	-	-	1,560	3,850	3,785	825	655	2,190	1,135	650	1,155	700	725	795	870	600	3,450	-	22,945	
WIDTH (FOOT)	-	-	-	24	Var.	20	25	25	34	29	25	26	26	26	26	26	24	28	-	Var	
AREA (SQ YD)	-	-	-	5,650	19,515	8,500	2,520	2,050	8,570	3,885	1,850	3,790	2,475	3,550	1,890	2,740	1,826	12,860	-	81,671	
BITUMINOUS MATERIALS (TACK COAT)	POUND	0	0	0	13,173	5,738	1,701	1,384	5,785	2,622	1,249	2,558	1,671	2,396	1,276	1,850	1,233	8,681	0	51,317	
POLYMERIZED HOT-MIX ASPHALT BINDER COURSE, IL-4.75, N50	TON	0	0	0	820	360	110	90	360	170	80	160	110	150	80	120	80	550	0	3,240	
HOT-MIX ASPHALT SURFACE COURSE, IL-9.5, MIX 'D', N50	TON	0	0	0	1,920	840	250	210	840	390	190	380	250	350	190	270	180	1,270	0	7,530	
HOT-MIX ASPHALT SURFACE REMOVAL, 2-1/4"	SQ YD	0	0	0	19,515	8,500	2,520	2,050	8,570	3,885	1,850	3,790	2,475	3,550	1,890	2,740	1,826	12,860	0	76,021	
PCC PAVEMENT REMOVAL AND HMA REPLACEMENT, SPECIAL	SQ YD	0	0	5,650	0	0	0	0	0	0	0	0	0	0	0	0	0	0	0	5,650	
HOT-MIX ASPHALT SURFACE REMOVAL, BUTT JOINT	SQ YD	0	0	0	110	155	20	17	42	26	21	0	0	0	12	12	22	52	0	489	
PORTLAND CEMENT CONCRETE SIDEWALK REMOVAL AND REPLACEMENT, 5 INCH	SQ FT	0	0	520	700	4,200	0	1,250	1,140	1,360	1,080	1,450	1,470	1,400	480	600	280	880	5,025	1,600	23,435
DETECTABLE WARNINGS	SQ FT	0	0	0	60	480	0	0	0	100	80	20	105	64	0	16	48	24	160	240	1,397
CLASS D PATCHES, 4 INCH	SQ YD	100	40	0	0	100	60	0	0	200	0	0	0	0	0	0	0	0	0	0	500
PAVEMENT PATCHING, 3" (SPECIAL)	SQ YD	0	0	20	0	70	0	0	0	15	0	0	0	0	0	0	0	0	0	500	755
AGGREGATE BASE COURSE REMOVAL AND REPLACEMENT, 12"	SQ YD	25	10	25	3,100	25	0	0	50	0	0	0	0	0	0	0	0	0	0	0	3,235
PREPARATION OF BASE	SQ YD	0	0	0	5,650	0	0	0	0	0	0	0	0	0	0	0	0	0	0	0	5,650
PIPE UNDERDRAINS, TYPE 1, 4"	FOOT	0	0	0	130	0	0	0	0	0	0	0	0	0	0	0	0	0	0	0	130
COMBINATION CONCRETE CURB & GUTTER REMOVAL AND REPLACEMENT	FOOT	0	0	50	600	1,000	15	925	450	220	220	900	480	250	110	145	250	250	900	280	7,045
AGGREGATE SHOULDERS, TYPE B	TON	250	0	0	0	0	200	0	0	0	0	0	0	0	0	0	0	0	0	0	450
DRAINAGE AND UTILITY STRUCTURES TO BE ADJUSTED	EACH	0	0	0	0	2	2	0	0	2	0	0	2	0	0	0	0	0	2	0	10
DRAINAGE AND UTILITY STRUCTURES TO BE RECONSTRUCTED	EACH	0	0	0	0	2	0	2	2	0	2	0	2	0	0	0	0	0	0	0	10
FRAMES AND GRATES TO BE ADJUSTED	EACH	0	0	0	0	10	8	6	6	8	0	4	2	0	0	2	2	2	2	0	50
THERMOPLASTIC PAVEMENT MARKING, LETTERS & SYMBOLS	SQ FT	0	0	0	0	32	0	0	0	63	0	0	0	0	0	0	0	0	0	0	95
THERMOPLASTIC PAVEMENT MARKING, LINE 4"	FOOT	5,650	0	0	0	0	0	0	0	7,785	0	0	0	0	0	0	0	0	0	0	13,435
THERMOPLASTIC PAVEMENT MARKING, LINE 6"	FOOT	0	0	300	0	150	0	0	0	485	60	0	0	0	0	0	30	60	0	0	1,085
THERMOPLASTIC PAVEMENT MARKING, LINE 12"	FOOT	0	0	0	0	0	0	0	0	1,430	66	0	0	0	0	0	0	100	0	0	1,596
THERMOPLASTIC PAVEMENT MARKING, LINE 24"	FOOT	0	0	0	0	80	144	28	28	30	15	0	15	15	0	15	15	30	0	0	415
RAILROAD PROTECTIVE LIABILITY INSURANCE	L SUM	0	0	0	0	0	0	0	0	0	0	0	0	0	0	0	0	0	0	0	1
TRAFFIC CONTROL AND PROTECTION	L SUM	0.0	0.0	0.0	0.1	0.2	0.1	0.1	0.0	0.1	0.0	0.0	0.0	0.0	0.0	0.0	0.0	0.2	0.1	0	1

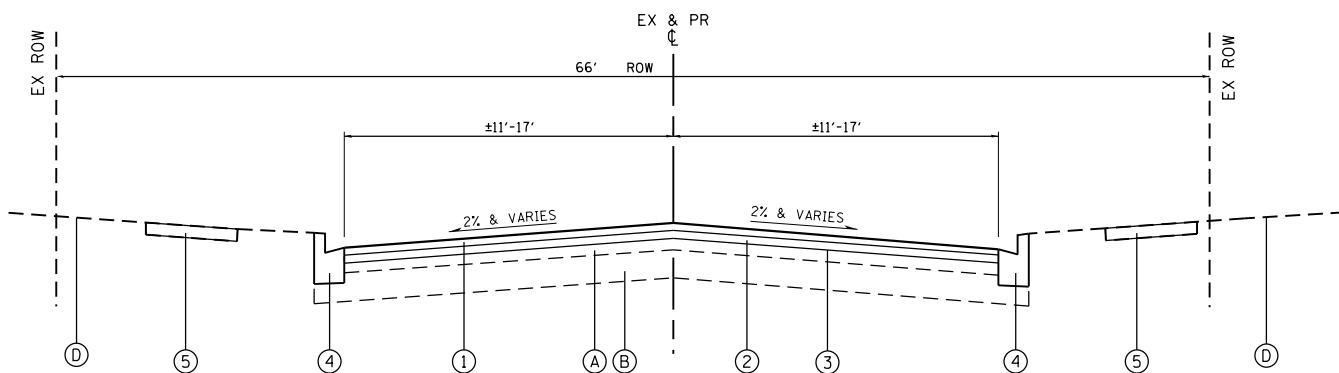


EXISTING TYPICAL SECTION

• SEE NOTES

SOUTHBURY BLVD, N ADAMS ST, QUEEN DR, HOMEVIEW DR,
 FIFTH ST, BLUEGRASS PKWY, KNIGHTS BRIDGE CT, DANCER LN,
 SILVER CHARM DR, MCGRATH DR, RISEN STAR LN,
 MAJESTIC LN, CHESAPEAKE LN, MORGAN VALLEY DR

• SEE NOTES



PROPOSED TYPICAL SECTION

SOUTHBURY BLVD, N ADAMS ST, QUEEN DR, HOMEVIEW DR,
 FIFTH ST, BLUEGRASS PKWY, KNIGHTS BRIDGE CT, DANCER LN,
 SILVER CHARM DR, MCGRATH DR, RISEN STAR LN,
 MAJESTIC LN, CHESAPEAKE LN, MORGAN VALLEY DR

EXISTING LEGEND

- (A) EXISTING HOT-MIX ASPHALT PAVEMENT, 4"±
- (B) EXISTING AGGREGATE BASE COURSE
- (C) EXISTING CONCRETE CURB AND GUTTER
- (D) EXISTING GROUND
- (E) HOT-MIX ASPHALT SURFACE REMOVAL, 2 1/4"
- (F) EXISTING SIDEWALK

INDICATES PAVEMENT REMOVAL

INDICATES REMOVAL ITEM

PROPOSED LEGEND

- (1) HOT-MIX ASPHALT SURFACE COURSE, IL-9.5, MIX "D", N50; 1.75"
- (2) POLYMERIZED HOT-MIX ASPHALT BINDER COURSE, IL-4.75, N50; 0.75"
- (3) BITUMINOUS MATERIALS (TACK COAT)
- (4) COMBINATION CONCRETE CURB AND GUTTER REMOVAL AND REPLACEMENT
- (5) PORTLAND CEMENT CONCRETE SIDEWALK REVMOAL AND REPLACEMENT, 5"

HOT-MIX ASPHALT MIXTURE REQUIREMENTS

MIXTURE TYPE	AIR VOIDS	DENSITY
RESURFACING		
HOT-MIX ASPHALT SURFACE COURSE, MIX "D", IL-9.5, N50	3.5% @ 50 GYR.	92.5-97.4%
POLYMERIZED HOT-MIX ASPHALT, BINDER COURSE, IL-4.75, N50	3.5% @ 50 GYR.	93.0-97.4%
CLASS D PATCHES		
CLASS D PATCHES (HMA BINDER, IL-19mm)	4% @ 70 GYR.	93.0-97.4%
PAVEMENT PATCHING (SPECIAL)		
HOT-MIX ASPHALT SURFACE COURSE, MIX "D", IL-9.5, N50	3.5% @ 50 GYR.	92.5-97.4%

THE UNIT WEIGHT TO CALCULATE ALL HMA SURFACE MIXTURE QUANTITIES IS 112 LBS/SO YD/IN.

FOR USE OF RECYCLED MATERIALS SEE SPECIAL PROVISIONS.

NOTE:

CONTRACTOR SHALL MILL BEFORE PATCHING.

PATCHING LOCATIONS WILL BE DETERMINED BY THE ENGINEER AFTER MILLING OPERATIONS.

SURFACE COURSE TO BE PLACED 1/4" ABOVE GUTTER FLAG.

SPOT CURB AND GUTTER REMOVAL AND REPLACEMENT TO BE DETERMINED IN THE FIELD BY THE ENGINEER.

SPOT PORTLAND CEMENT CONCRETE SIDEWALK REMOVAL AND REPLACEMENT TO BE DETERMINED IN THE FIELD BY THE ENGINEER.

HRG PROJECT NO.: 200055.29
 FILE NAME: 230055.09-shr1-tp01.dgn

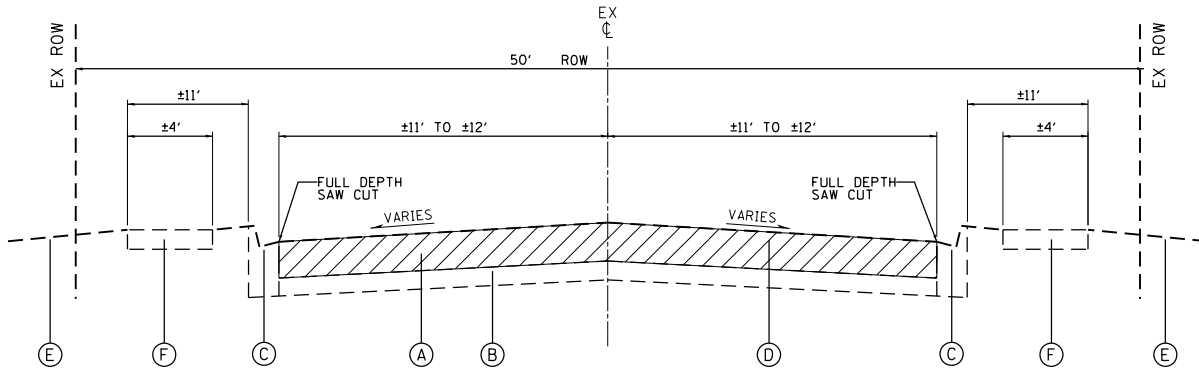


HRGreen.com
 Illinois Professional Design Firm
 # 184-001322

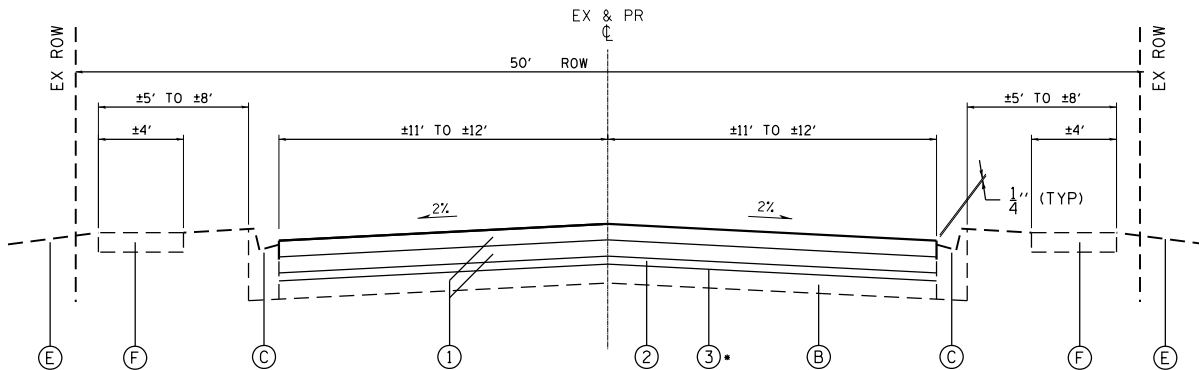
**VILLAGE OF OSWEGO
 2024 RESURFACING PROGRAM**

SCALE: N.T.S.

F.A.U RTE.	SECTION NO.	COUNTY	TOTAL SHEETS	SHEET NO.
	24-0000-00-GM	KENDALL		1
ILLINOIS				



EXISTING TYPICAL SECTION
WATERBURY CIRCLE



PROPOSED TYPICAL SECTION
WATERBURY CIRCLE

• BETWEEN CHRISTIAN COURT AND SOUTH INTERSECTION AT OGDEN FALL BOULEVARD

EXISTING LEGEND

- (A) EXISTING P.C.C. PAVEMENT, 6±
- (B) EXISTING AGGREGATE BASE COURSE, 6"±
- (C) EXISTING COMBINATION CONCRETE CURB & GUTTER (REMOVAL AND REPLACEMENT LOCATIONS TO BE DETERMINED BY THE ENGINEER.)
- (D) PCC PAVEMENT REMOVAL AND HMA REPLACEMENT, SPECIAL
- (E) EXISTING GROUND
- (F) EXISTING PCC SIDEWALK (REMOVAL AND REPLACEMENT LOCATIONS TO BE DETERMINED BY THE ENGINEER.)

PROPOSED LEGEND

- (1) PCC PAVEMENT REMOVAL AND HMA REPLACEMENT, SPECIAL
 - 2" HMA SURFACE COURSE, IL 9.5, MIX 'D', N50
 - 4" HMA BINDER COURSE, IL-19.0, N50 (IN 2 LIFTS)
- (2) PREPARATION OF BASE, SPECIAL
- (3) AGGREGATE BASE COURSE REMOVAL AND REPLACEMENT, 12" (AS DIRECTED BY THE ENGINEER, FROM CHRISTIAN COURT TO SOUTH OGDEN FALL BLVD)

HRG PROJECT NO.: 200055.29
FILE NAME: 230055.09-sh1-ty02.dgn

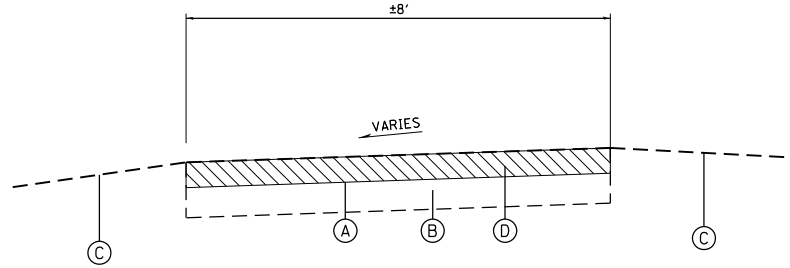


HRGreen.com
Illinois Professional Design Firm
184-001322

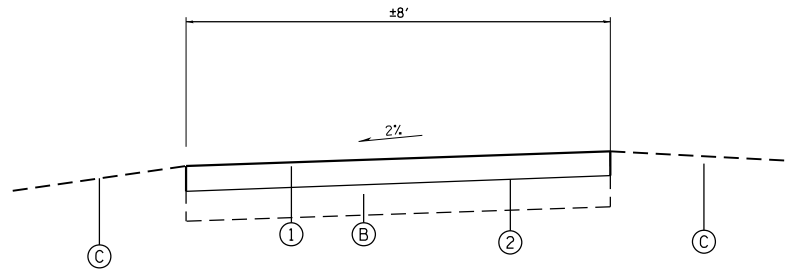
**VILLAGE OF OSWEGO
2024 RESURFACING PROGRAM**

SCALE: N.T.S.

F.A.U RTE.	SECTION NO.	COUNTY	TOTAL SHEETS	SHEET NO.
	24-0000-00-GM	KENDALL		2
ILLINOIS				



EXISTING TYPICAL SECTION
PATH PATCHING LOCATIONS



PROPOSED TYPICAL SECTION
PATH PATCHING LOCATIONS

EXISTING LEGEND

- (A) EXISTING HOT-MIX ASPHALT PAVEMENT, 3"±
- (B) EXISTING AGGREGATE BASE COURSE
- (C) EXISTING GROUND
- (D) HOT-MIX ASPHALT SURFACE REMOVAL, 3" (SPECIAL)

 INDICATES PAVEMENT REMOVAL

PROPOSED LEGEND

- (1) HOT-MIX ASPHALT SURFACE COURSE, MIX "D", N50 (SPECIAL); 3"
- (2) BITUMINOUS MATERIALS (TACK COAT)

HRG PROJECT NO.: 200055.29
FILE NAME: 230055.09-shr-typ03.dgn

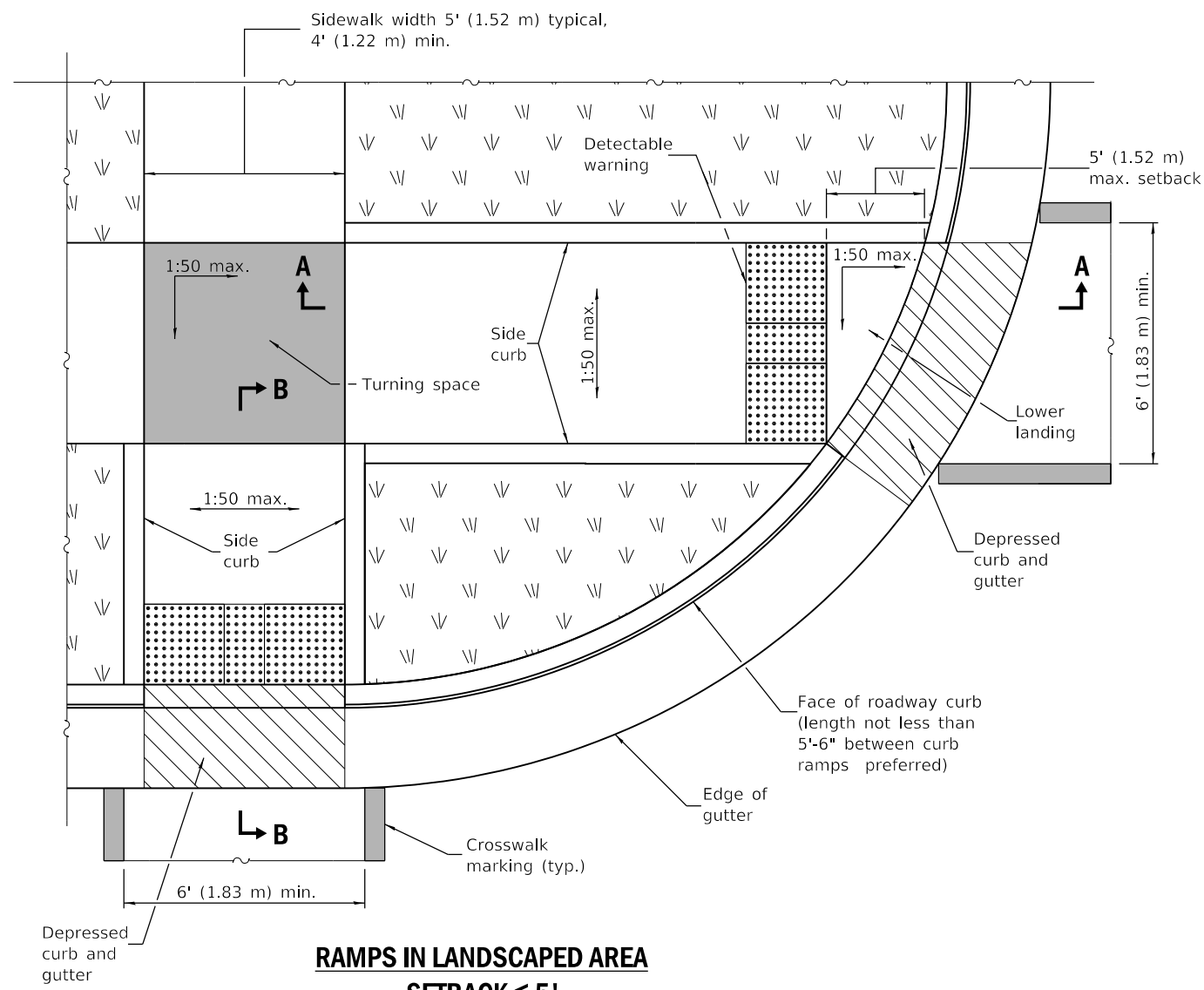


HRGreen.com
Illinois Professional Design Firm
184-001322

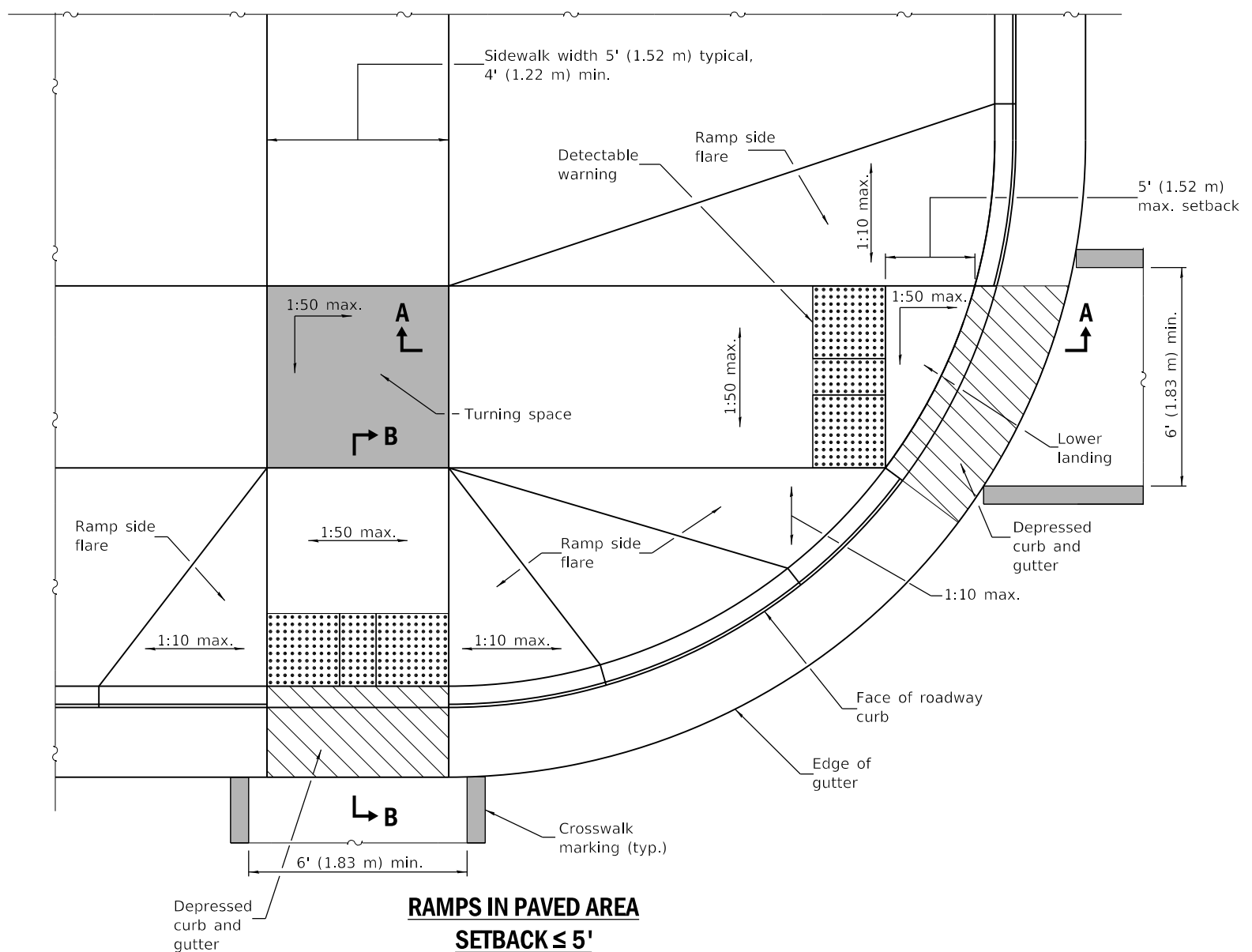
**VILLAGE OF OSWEGO
2024 RESURFACING PROGRAM**

SCALE: N.T.S.

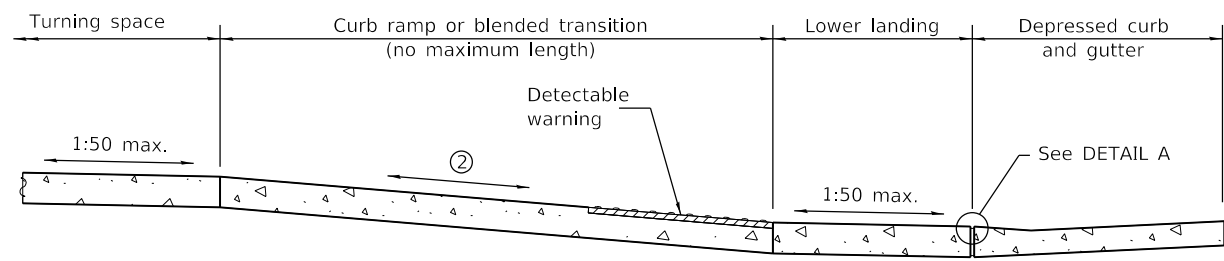
F.A.U RTE.	SECTION NO.	COUNTY	TOTAL SHEETS	SHEET NO.
	24-00000-00-GM	KENDALL		3
ILLINOIS				



**RAMPS IN LANDSCAPED AREA
SETBACK ≤ 5'**

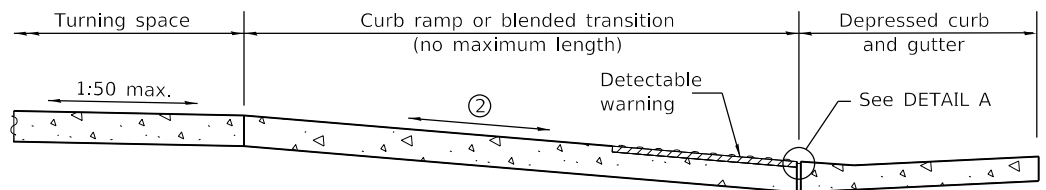


**RAMPS IN PAVED AREA
SETBACK ≤ 5'**



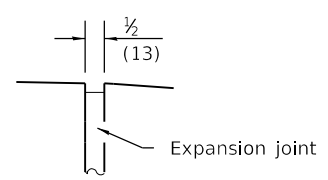
SECTION A-A

② The running slope of a curb ramp shall be 1:20 min. and 1:12 max. The running slope of a blended transition shall be 1:20 max.

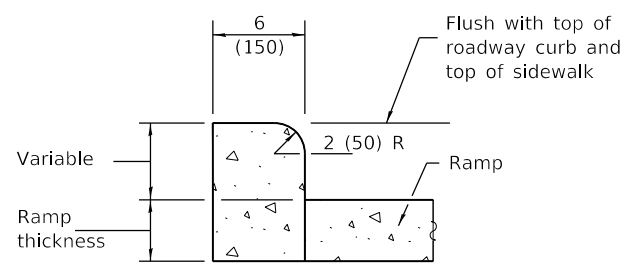


SECTION B-B

② The running slope of a curb ramp shall be 1:20 min. and 1:12 max. The running slope of a blended transition shall be 1:20 max.



DETAIL A



SIDE CURB DETAIL

Illinois Department of Transportation

PASSED January 1, 2019
Michael Bond
 ENGINEER OF POLICY AND PROCEDURES

APPROVED January 1, 2019
John E. ...
 ENGINEER OF DESIGN AND ENVIRONMENT

ISSUED 1-1-97

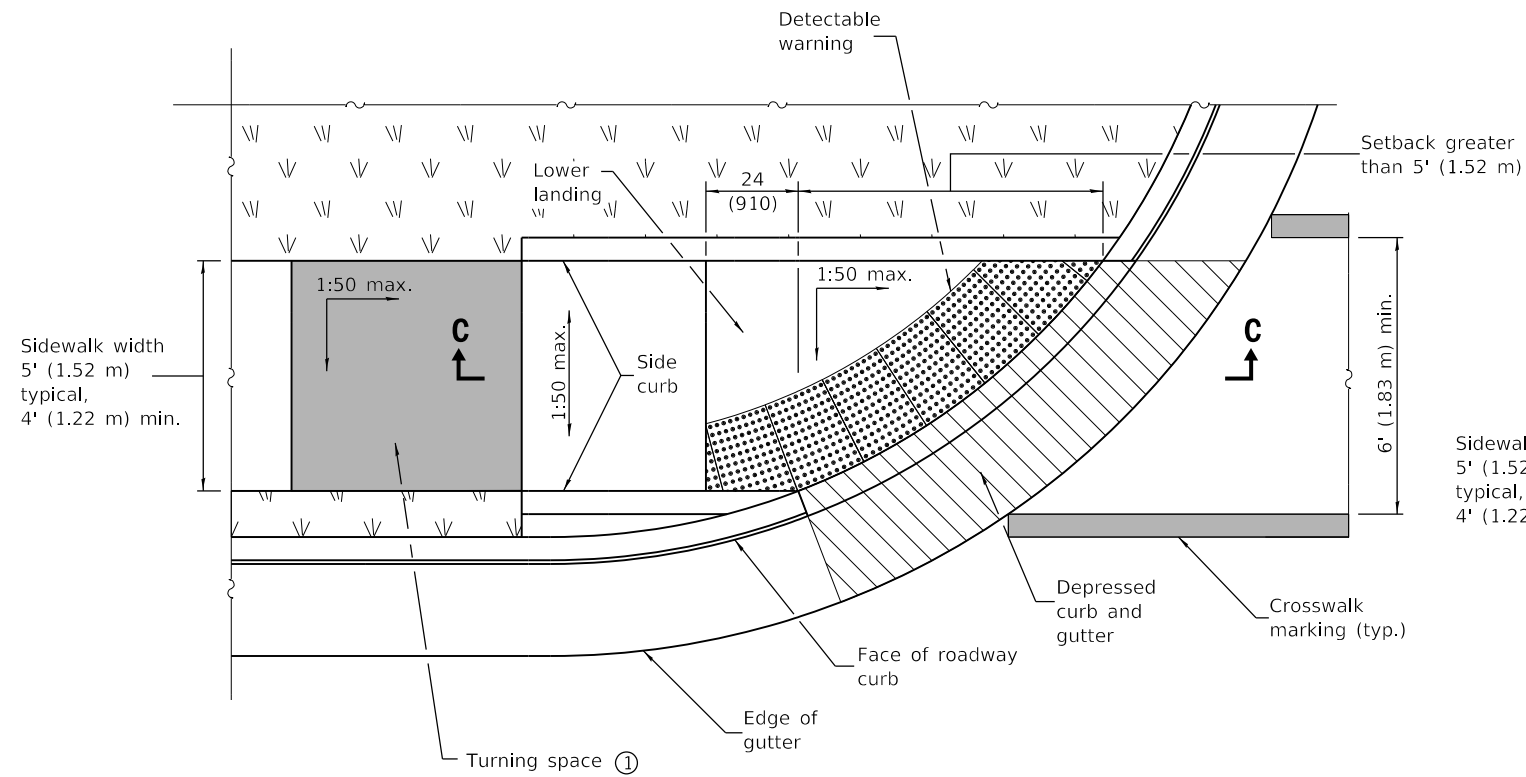
DATE	REVISIONS
1-1-19	Removed "15-foot rule", added "Blended transitions" and placement tolerances for detectable warnings.
1-1-18	Omitted diagonal slope at turning spaces and lower landings.

See Sheet 2 for GENERAL NOTES.

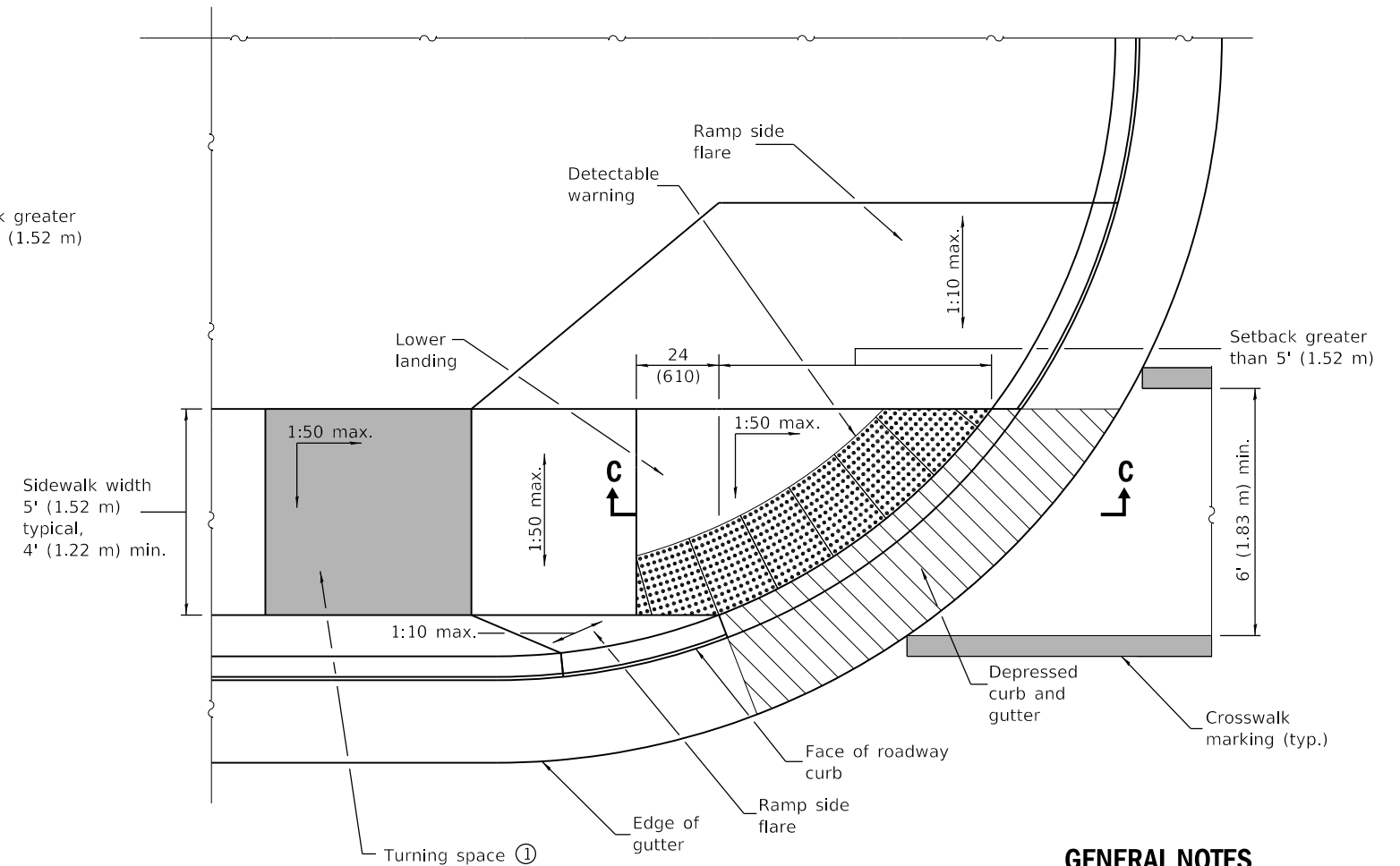
**PERPENDICULAR CURB RAMPS
FOR SIDEWALKS**

(Sheet 1 of 2)

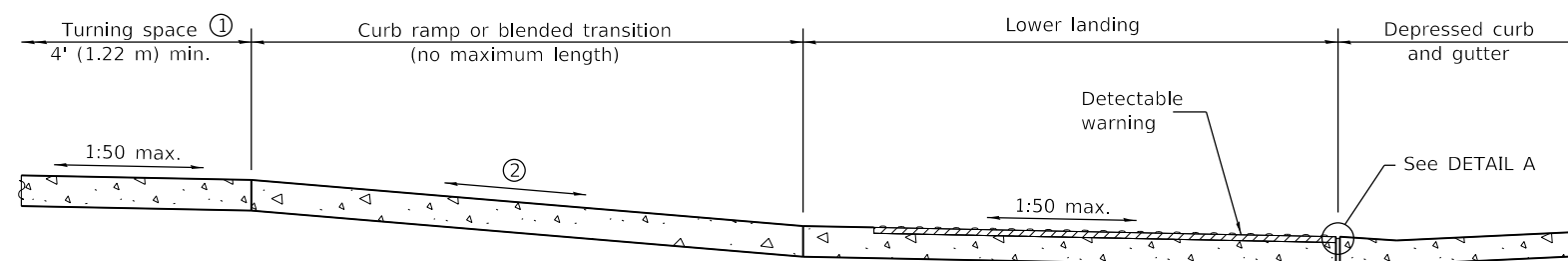
STANDARD 424001-11



**RAMP IN LANDSCAPED AREA
SETBACK > 5'**



**RAMP IN PAVED AREA
SETBACK > 5'**



SECTION C-C

- ① This turning space not required for blended transitions.
- ② The running slope of a curb ramp shall be 1:20 min. and 1:12 max. The running slope of a blended transition shall be 1:20 max.

GENERAL NOTES

All slope ratios are expressed as units of vertical displacement to units of horizontal displacement (V:H).

Where the turning space is constrained on a side opposite a ramp, the minimum length of the turning space in the direction of the ramp-run shall be 5' (1.52 m).

Where 1:50 maximum slope is shown, 1:64 is preferred.

Detectable warnings are shown in their ideal locations but the following placement tolerances are allowed.

Side Border - Detectable warnings should extend the full width of the walking surface (excluding flared sides) but a border along each side up to 2 in. (50 mm) in width is allowed.

Curb Set-Back - Detectable warnings located at the back of curb should closely align with the curb but a gap up to 6 in. (150 mm) behind the curb is allowed.

See Standard 606001 for details of depressed curb adjacent to curb ramp.

All dimensions are in inches (millimeters) unless otherwise shown.

**PERPENDICULAR CURB RAMPS
FOR SIDEWALKS**

(Sheet 2 of 2)

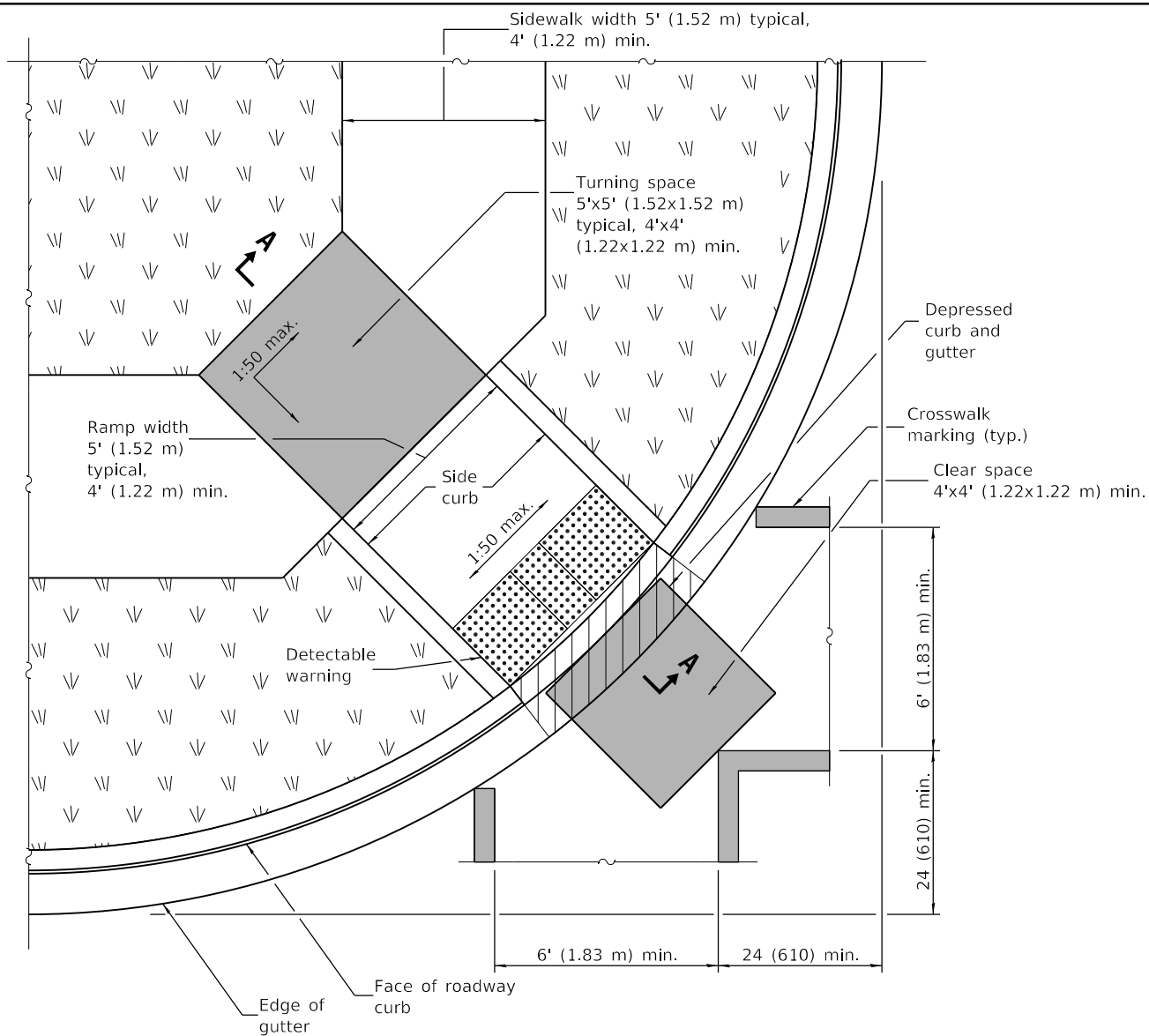
STANDARD 424001-11

Illinois Department of Transportation

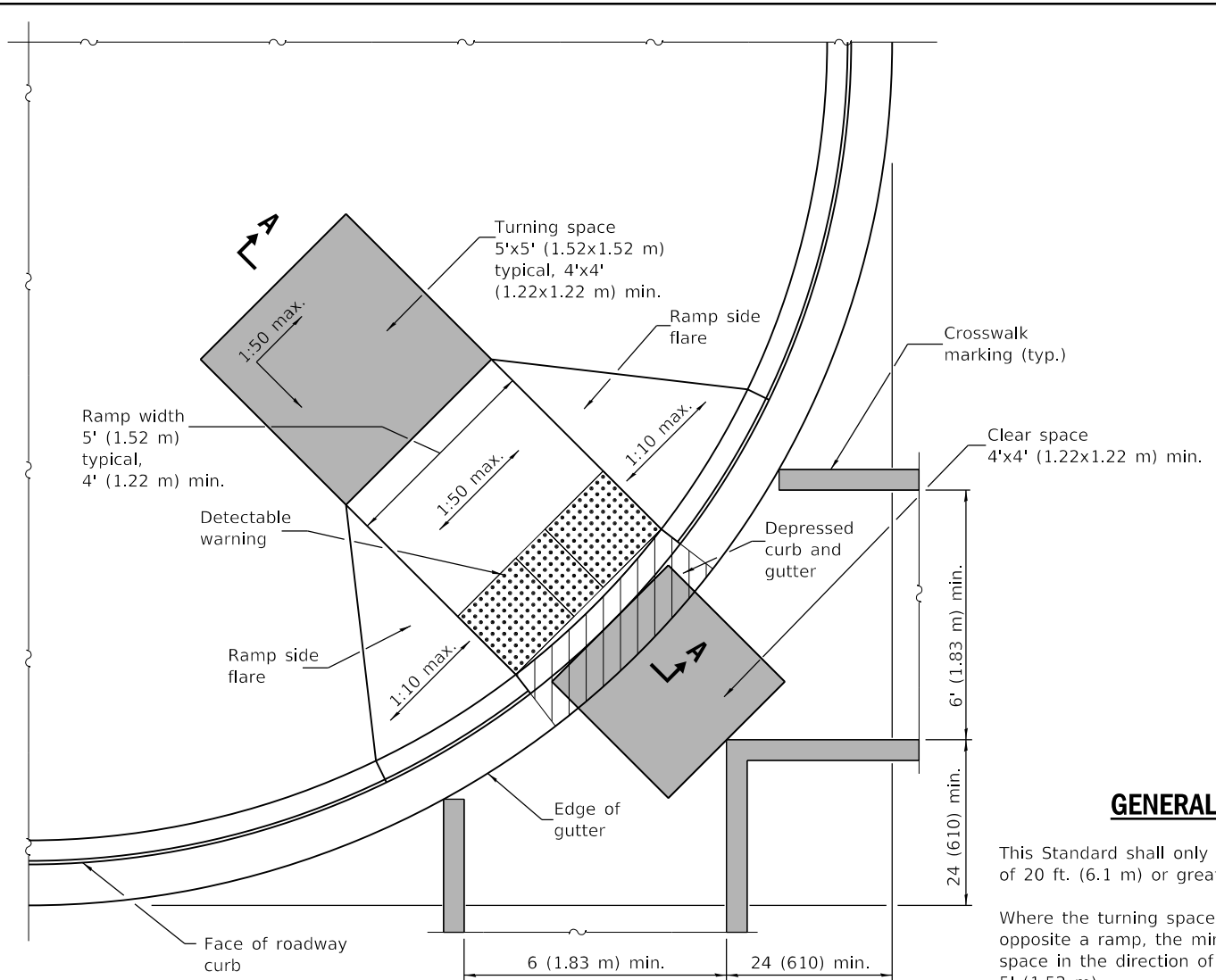
PASSED January 1, 2019
Michael Bond
 ENGINEER OF POLICY AND PROCEDURES

APPROVED January 1, 2019
Joe E. ...
 ENGINEER OF DESIGN AND ENVIRONMENT

ISSUED 1-1-97



RAMP IN LANDSCAPED AREA



RAMP IN PAVED AREA

GENERAL NOTES

This Standard shall only be used for curb radii of 20 ft. (6.1 m) or greater.

Where the turning space is constrained on a side opposite a ramp, the minimum length of the turning space in the direction of the ramp-run shall be 5' (1.52 m).

Where 1:50 maximum slope is shown, 1:64 is preferred.

Detectable warnings are shown in their ideal locations but the following placement tolerances are allowed.

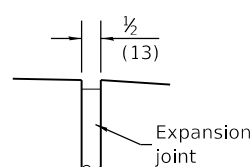
Side Border - Detectable warnings should extend the full width of the walking surface (excluding flared sides) but a border along each side up to 2 in. (50 mm) in width is allowed.

Curb Set-Back - Detectable warnings located at the back of curb should closely align with the curb but a gap up to 6 in. (150 mm) behind the curb is allowed.

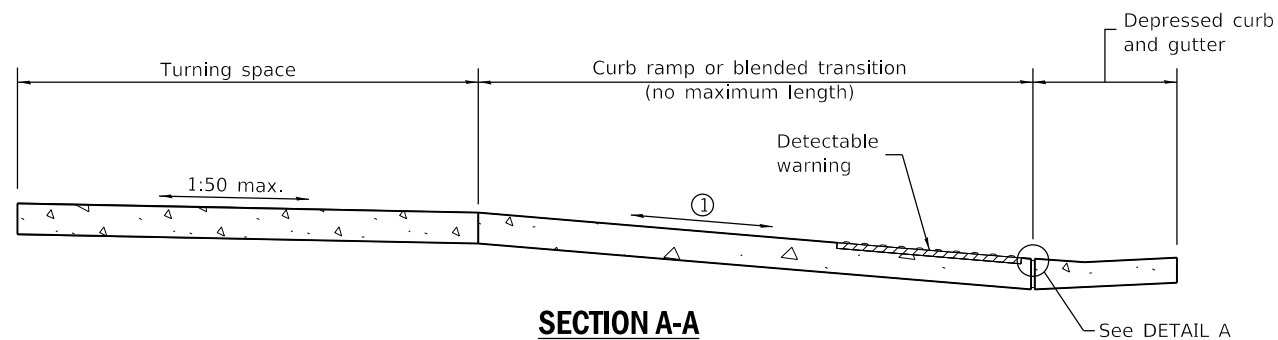
All slope ratios are expressed as units of vertical displacement to units of horizontal displacement (V:H).

See Standard 606001 for details of depressed curb adjacent to curb ramp.

All dimensions are in inches (millimeters) unless otherwise shown.

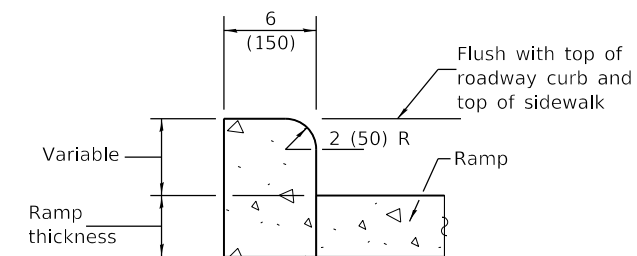


DETAIL A



SECTION A-A

① The running slope of a curb ramp shall be 1:20 min. and 1:12 max. The running slope of a blended transition shall be 1:20 max.



SIDE CURB DETAIL

DATE	REVISIONS
1-1-21	Clarified minimum crosswalk width and locations.
1-1-19	Removed "15-foot rule", added "blended transitions" and placement tolerances for detectable warnings.

DIAGONAL CURB RAMPS FOR SIDEWALKS

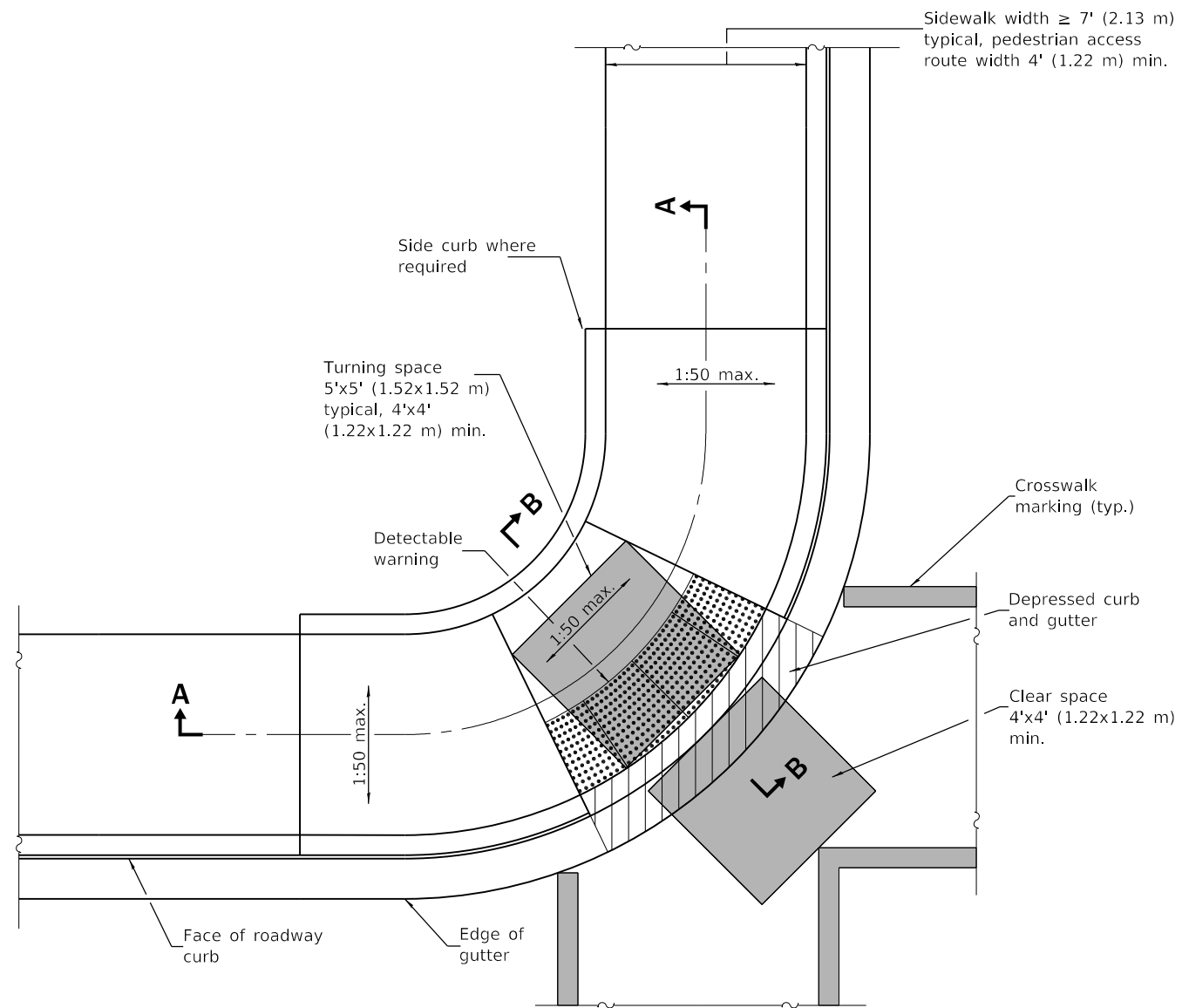
STANDARD 424006-05

Illinois Department of Transportation

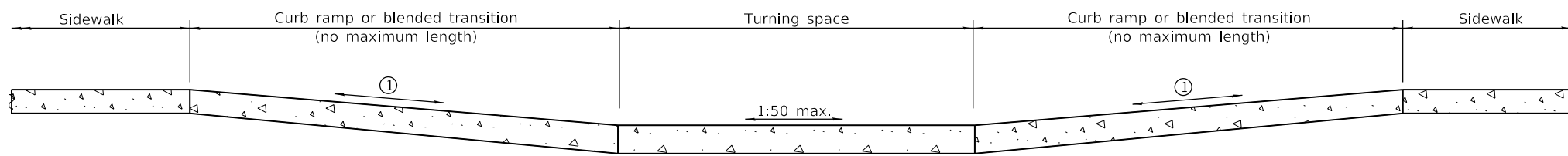
PASSED January 1, 2021
Michael Bond
 ENGINEER OF POLICY AND PROCEDURES

APPROVED January 1, 2021
John E. ...
 ENGINEER OF DESIGN AND ENVIRONMENT

ISSUED 1-1-12

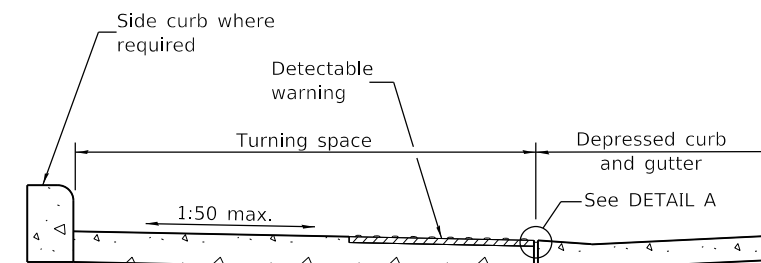


CORNER PARALLEL CURB RAMP

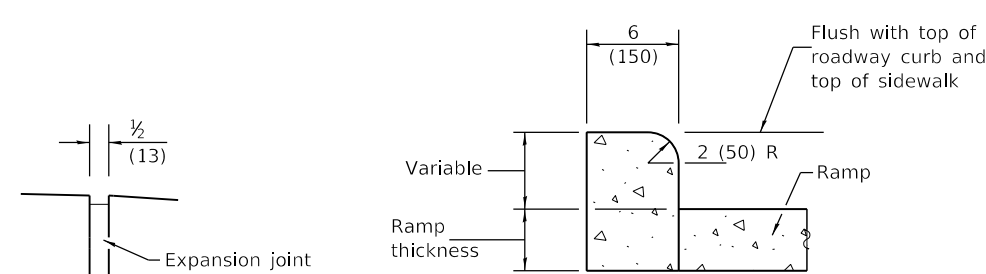


SECTION A-A

① The running slope of a curb ramp shall be 1:20 min. and 1:12 max. The running slope of a blended transition shall be 1:20 max.



SECTION B-B



DETAIL A

SIDE CURB DETAIL

GENERAL NOTES

All slope ratios are expressed as units of vertical displacement to units of horizontal displacement (V:H).

Where the turning space is constrained on a side opposite a ramp, the minimum length of the turning space in the direction of the ramp-run shall be 5' (1.52 m).

Where 1:50 maximum slope is shown, 1:64 is preferred.

Detectable warnings are shown in their ideal locations but the following placement tolerances are allowed.

Side Border - Detectable warnings should extend the full width of the walking surface (excluding flared sides) but a border along each side up to 2 in. (50 mm) in width is allowed.

Curb Set-Back - Detectable warnings located at the back of curb should closely align with the curb but a gap up to 6 in. (150 mm) behind the curb is allowed.

See Standard 606001 for details of depressed curb adjacent to curb ramp.

All dimensions are in inches (millimeters) unless otherwise shown.

DATE	REVISIONS
1-1-19	Removed upper landing, added blended transition and detectable warning tolerances.
1-1-17	Revised sidewalk width to include 24 (610) buffer behind curb.

CORNER PARALLEL CURB RAMPS FOR SIDEWALKS

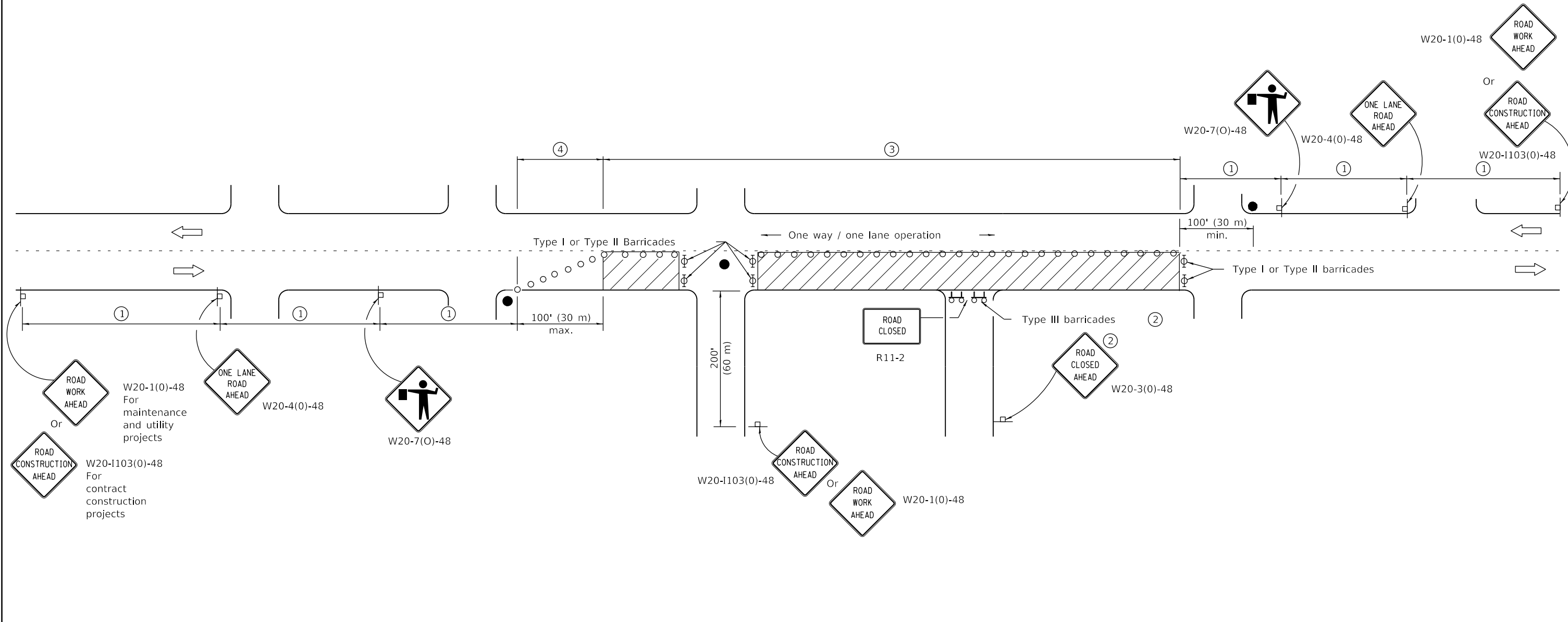
STANDARD 424011-04

Illinois Department of Transportation

PASSED January 1, 2019
Michael Bond
 ENGINEER OF POLICY AND PROCEDURES

APPROVED January 1, 2019
John E. ...
 ENGINEER OF DESIGN AND ENVIRONMENT

ISSUED 1-1-12



SIGN SPACING	
Posted Speed	Sign Spacing
55	500' (150 m)
50-45	350' (100 m)
<45	200' (60 m)

SYMBOLS

- Work area
- Cone, drum or barricade (not required for moving operations)
- Sign on portable or permanent support
- Flagger with traffic control sign
- Barricade or drum with flashing light
- Type III barricade with flashing lights

- ① Refer to SIGN SPACING TABLE for distances.
- ② For approved sideroad closures.
- ③ Cones at 25' (8 m) centers for 250' (75 m). Additional cones may be placed at 50' (15 m) centers. When drums or Type I or Type II barricades are used, the interval between devices may be doubled.
- ④ Cones, drums or barricades at 20' (6 m) centers.

GENERAL NOTES

This Standard is used where at any time, day or night, any vehicle, equipment, workers or their activities encroach on the pavement requiring the closure of one traffic lane in an urban area.

All dimensions are in inches (millimeters) unless otherwise shown.

Illinois Department of Transportation
 PASSED January 1, 2011

 ENGINEER OF SAFETY ENGINEERING
 APPROVED January 1, 2011

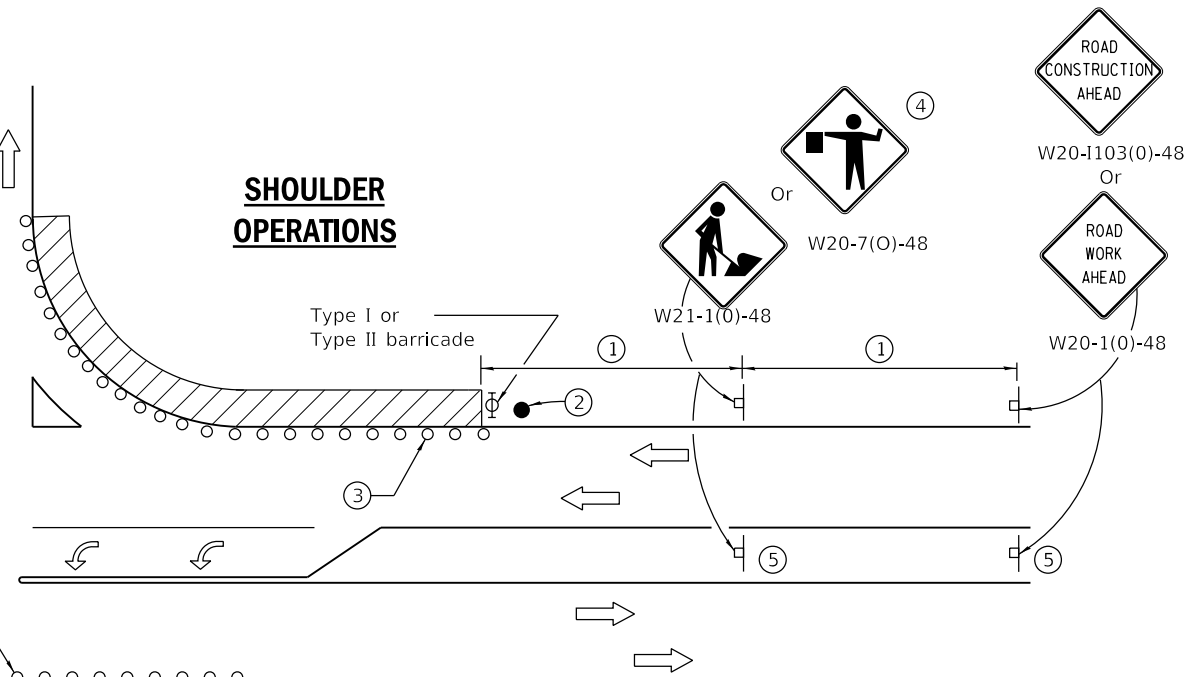
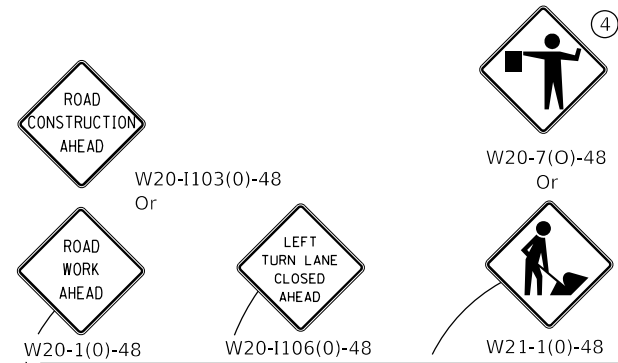
 ENGINEER OF DESIGN AND ENVIRONMENT

ISSUED 1-1-97

DATE	REVISIONS
1-1-11	Revised flagger sign.
1-1-09	Switched units to English (metric).
	Corrected sign No.'s.

**URBAN LANE CLOSURE,
2L, 2W, UNDIVIDED**

STANDARD 701501-06



**LEFT TURN LANE OR CENTER
MEDIAN OPERATIONS**

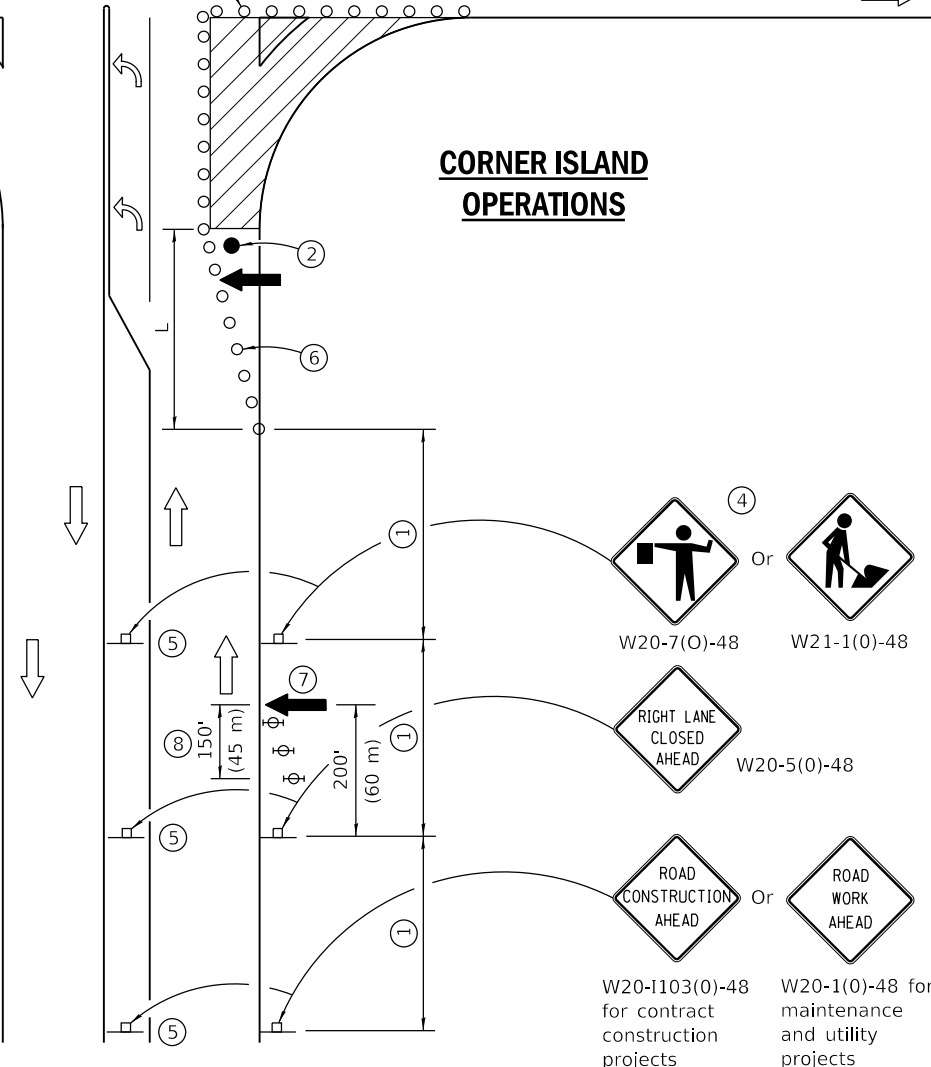
- ① Refer to SIGN SPACING TABLE for distance.
- ② Required for speed > 40 mph.
- ③ Cones at 25' (8 m) centers for 250' (75 m). Additional cones may be placed at 50' (15 m) centers. When drums or Type I or Type II barricades are used, the interval between devices may be doubled.
- ④ Use flagger sign only when flagger is present.
- ⑤ Omit this sign when median is less than 10' (3 m) or for bi-directional turn lanes.
- ⑥ Cones, drums or barricades at 20' (6 m) centers in taper.
- ⑦ Advanced arrow board required for speeds > 45 mph.
- ⑧ Three Type II barricades, drums or vertical barricades at 50' (15 m) centers.

SYMBOLS

- Work area
- Cone, drum or barricade
- Sign on portable or permanent support
- Arrow board
- Barricade or drum with flashing light
- Flagger with traffic control sign

SIGN SPACING	
Posted Speed	Sign Spacing
55	500' (150 m)
50-45	350' (100 m)
<45	200' (60 m)

**CORNER ISLAND
OPERATIONS**



GENERAL NOTES

This Standard is used where at any time, day or night, any vehicle, equipment, workers or their activities encroach on the pavement during shoulder operations or where construction requires lane closures in an urban area.

Calculate L as follows:

SPEED LIMIT	FORMULAS	
	English	(Metric)
40 mph (70 km/h) or less:	$L = \frac{WS^2}{60}$	$L = \frac{WS^2}{150}$
45 mph (80 km/h) or greater:	$L = (W)(S)$	$L = 0.65(W)(S)$

W = Width of offset in feet (meters).

S = Normal posted speed mph (km/h).

All dimensions are in inches (millimeters) unless otherwise shown.

DATE	REVISIONS
4-1-16	Corrected sign number for LEFT TURN LANE CLOSED AHEAD.
1-1-14	Added devices at arrow board upstream from taper.
	Rev. workers sign number.

**URBAN LANE CLOSURE,
MULTILANE INTERSECTION**

STANDARD 701701-10

Illinois Department of Transportation

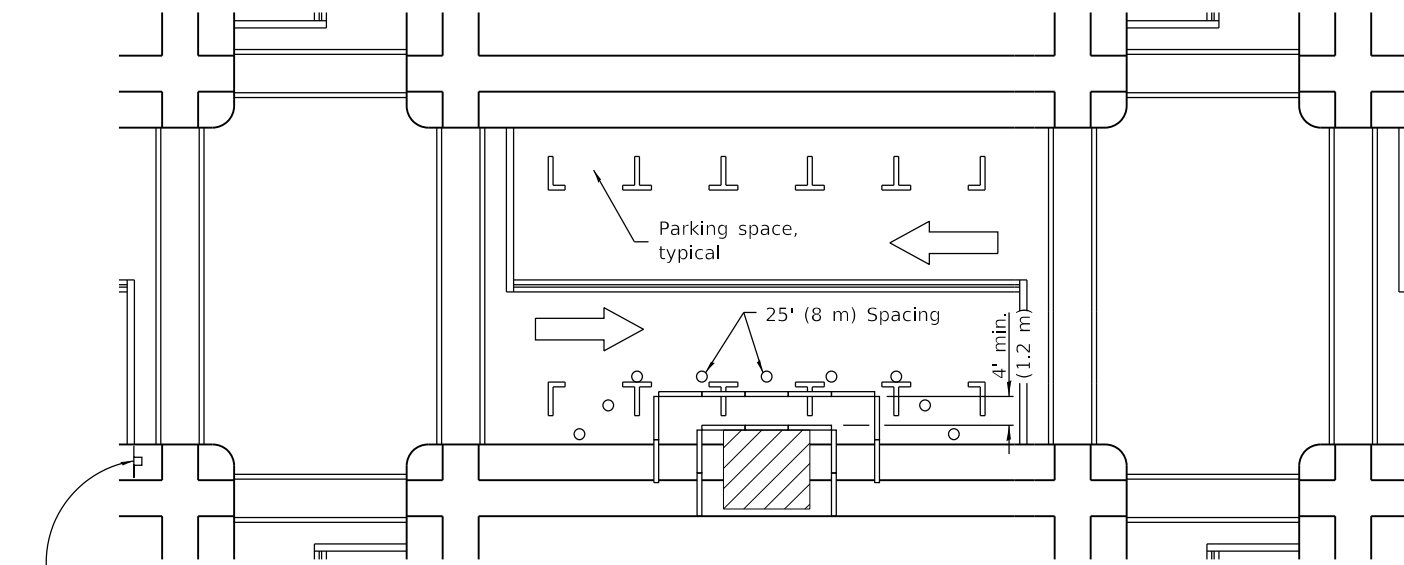
PASSED April 1, 2016

 ENGINEER OF SAFETY ENGINEERING

APPROVED April 1, 2016

 ENGINEER OF DESIGN AND ENVIRONMENT

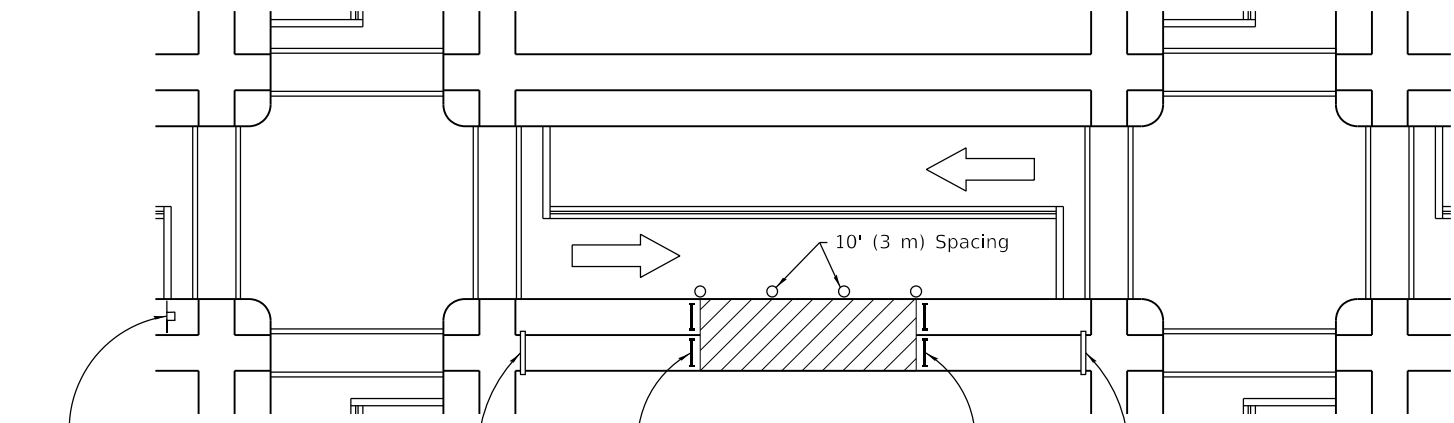
ISSUED 1-1-97



① ROAD CONSTRUCTION AHEAD W20-1103(0)-48 for contract construction projects

Or
① ROAD WORK AHEAD W20-1(0)-48 for maintenance and utility projects

SIDEWALK DIVERSION



① ROAD CONSTRUCTION AHEAD W20-1103(0)-48 for contract construction projects

Or
① ROAD WORK AHEAD W20-1(0)-48 for maintenance and utility projects

R11-1102-2430
SIDEWALK CLOSED
←
USE OTHER SIDE

R11-1101-2418
SIDEWALK CLOSED

R11-1102-2430
SIDEWALK CLOSED
→
USE OTHER SIDE

SIDEWALK CLOSURE

① Omit whenever duplicated by road work traffic control.

GENERAL NOTES

This Standard is used where, at any time, pedestrian traffic must be rerouted due to work being performed.

This Standard must be used in conjunction with other Traffic Control & Protection Standards when roadway traffic is affected.

Temporary facilities shall be detectable and accessible.


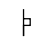
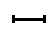
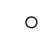

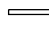
The temporary pedestrian facilities shall be provided on the same side of the closed facilities whenever possible.

The SIDEWALK CLOSED / USE OTHER SIDE sign shall be placed at the nearest crosswalk or intersection to each end of the closure. Where the closure occurs at a corner, the signs shall be erected on the corners across the street from the closure. The SIDEWALK CLOSED signs shall be used at the ends of the actual closures.

Type III barricades and R11-2-4830 signs shall be positioned as shown in "ROAD CLOSED TO ALL TRAFFIC" detail on Standard 701901.

All dimensions are in inches (millimeters) unless otherwise shown.

SYMBOLS

-  Work area
-  Sign on portable or permanent support
-  Barricade or drum
-  Cone, drum or barricade
-  Type III barricade
-  Detectable pedestrian channelizing barricade

Illinois Department of Transportation

PASSED April 1, 2016
[Signature]
ENGINEER OF SAFETY ENGINEERING

APPROVED April 1, 2016
[Signature]
ENGINEER OF DESIGN AND ENVIRONMENT

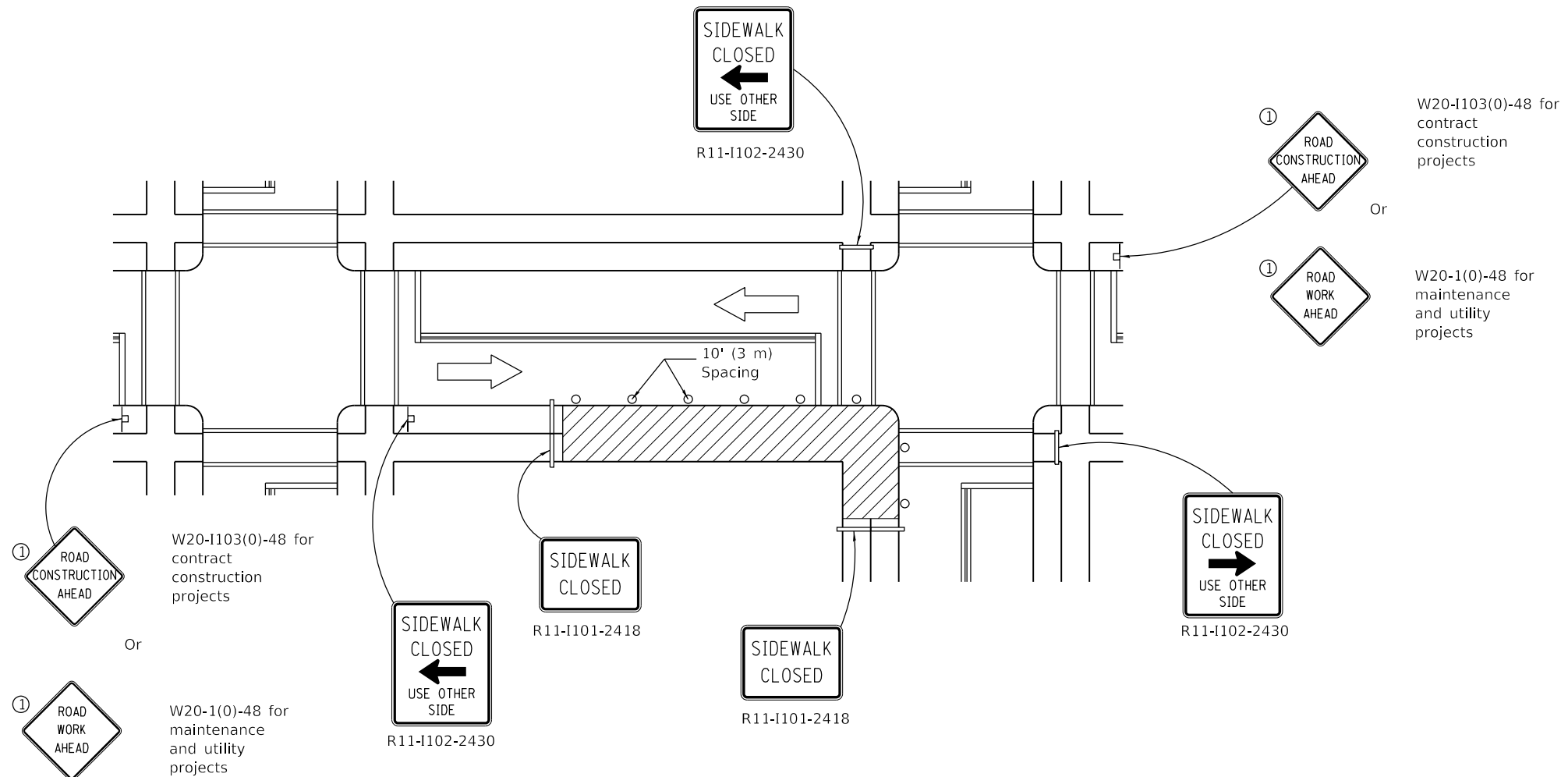
ISSUED 1-1-97

DATE	REVISIONS
4-1-16	Omitted orange safety fence from standard as this is covered in the std. spec.
1-1-12	Added SIDEWALK DIVERSION. Modified appearance of plan views. Renamed Std.

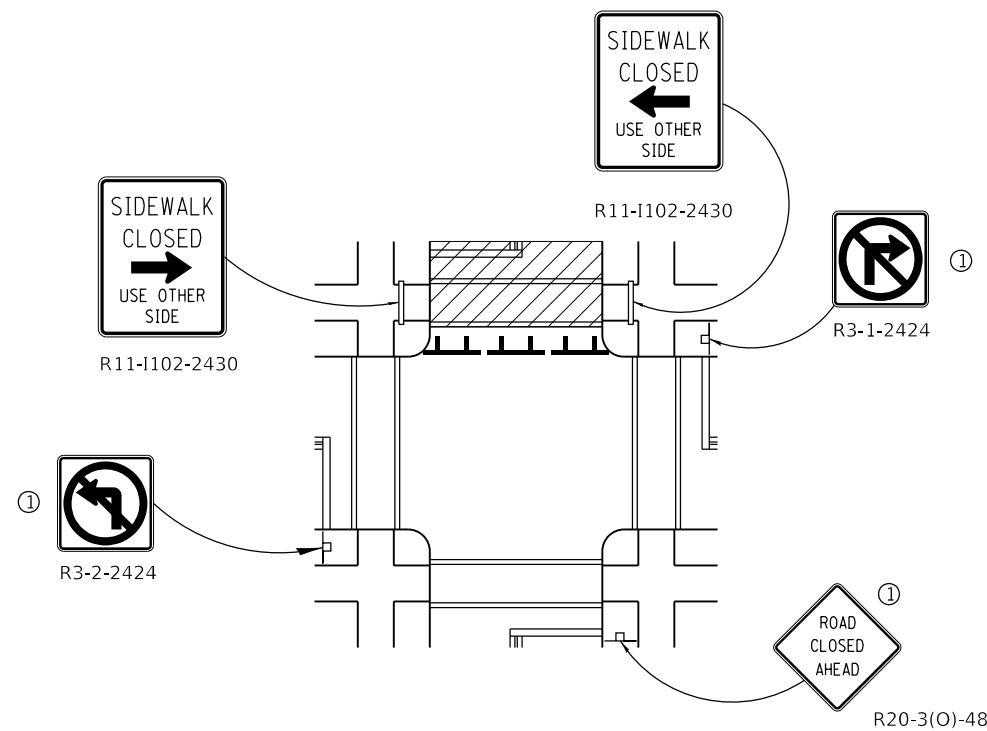
SIDEWALK, CORNER OR CROSSWALK CLOSURE

(Sheet 1 of 2)

STANDARD 701801-06



CORNER CLOSURE



CROSSWALK CLOSURE

W20-I103(0)-48 for contract construction projects

Or

W20-1(0)-48 for maintenance and utility projects

W20-I103(0)-48 for contract construction projects

Or

W20-1(0)-48 for maintenance and utility projects

SIDEWALK, CORNER OR CROSSWALK CLOSURE

(Sheet 2 of 2)

STANDARD 701801-06

Illinois Department of Transportation

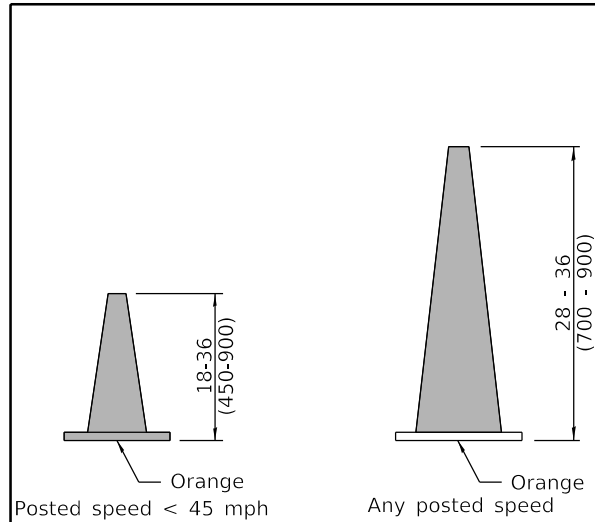
PASSED April 1, 2016

[Signature]
ENGINEER OF SAFETY ENGINEERING

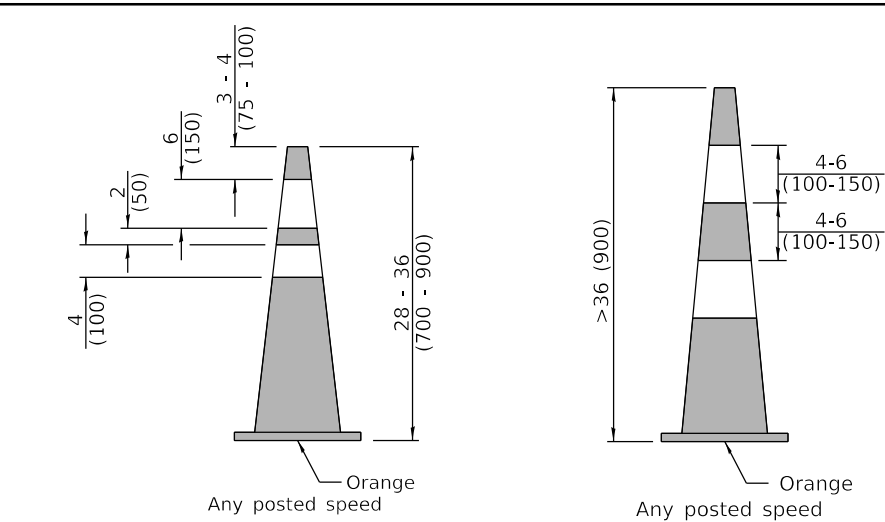
APPROVED April 1, 2016

[Signature]
ENGINEER OF DESIGN AND ENVIRONMENT

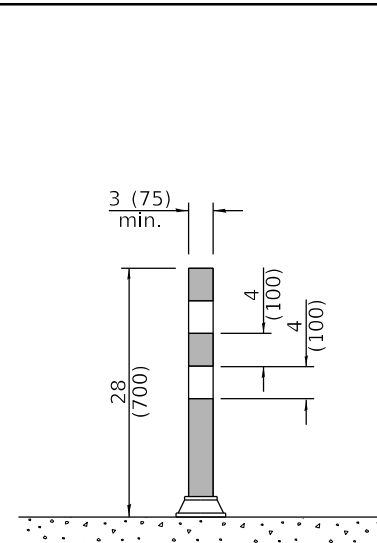
ISSUED 1-1-97



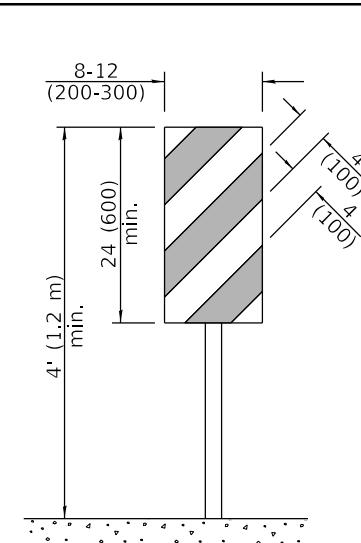
DAYTIME USE



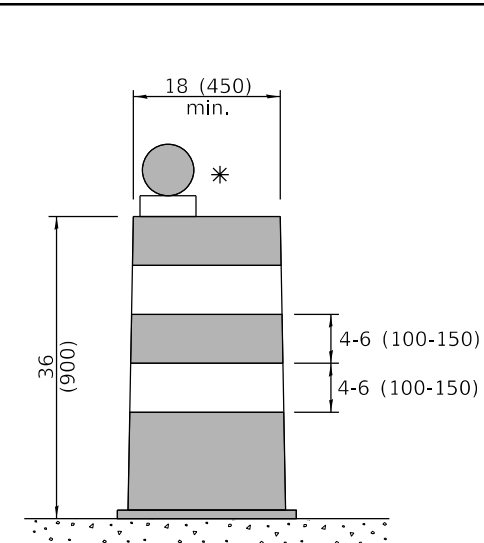
DAY OR NIGHTTIME USE



TUBULAR MARKER

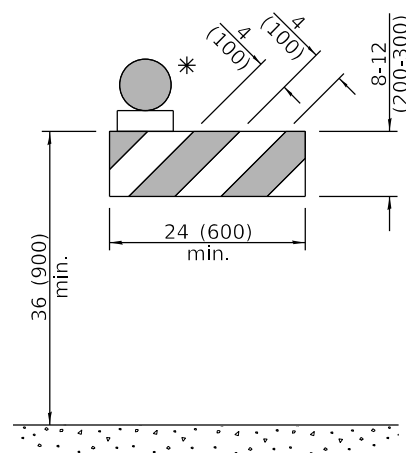


**VERTICAL PANEL
POST MOUNTED**

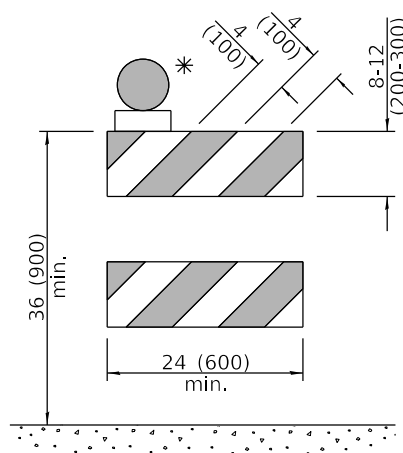


DRUM

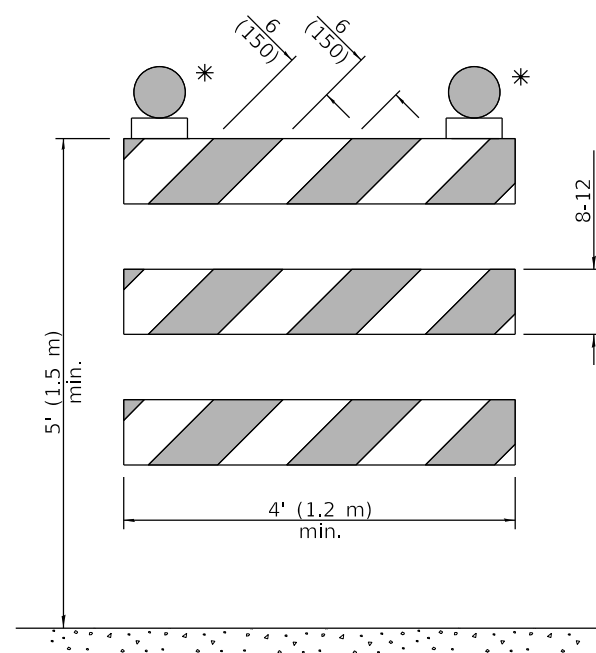
CONES



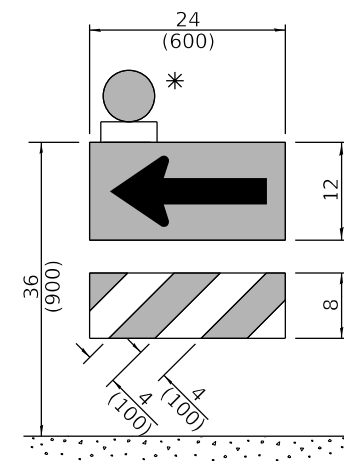
TYPE I BARRICADE



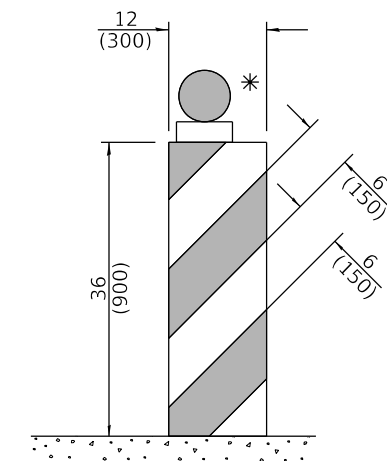
TYPE II BARRICADE



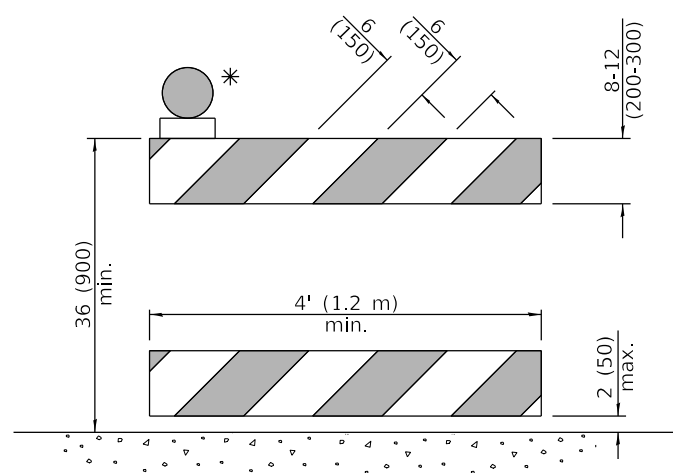
TYPE III BARRICADE



**DIRECTION INDICATOR
BARRICADE**



VERTICAL BARRICADE



**DETECTABLE PEDESTRIAN
CHANNELIZING BARRICADE**

* Warning lights (if required)

GENERAL NOTES

All heights shown shall be measured above the pavement surface.

All dimensions are in inches (millimeters) unless otherwise shown.

DATE	REVISIONS
1-1-19	Revised cone usage and added cones >36" (900 mm) height.
1-1-18	Revised END WORK ZONE SPEED LIMIT sign from orange to white background.

TRAFFIC CONTROL DEVICES

(Sheet 1 of 3)

STANDARD 701901-08

Illinois Department of Transportation

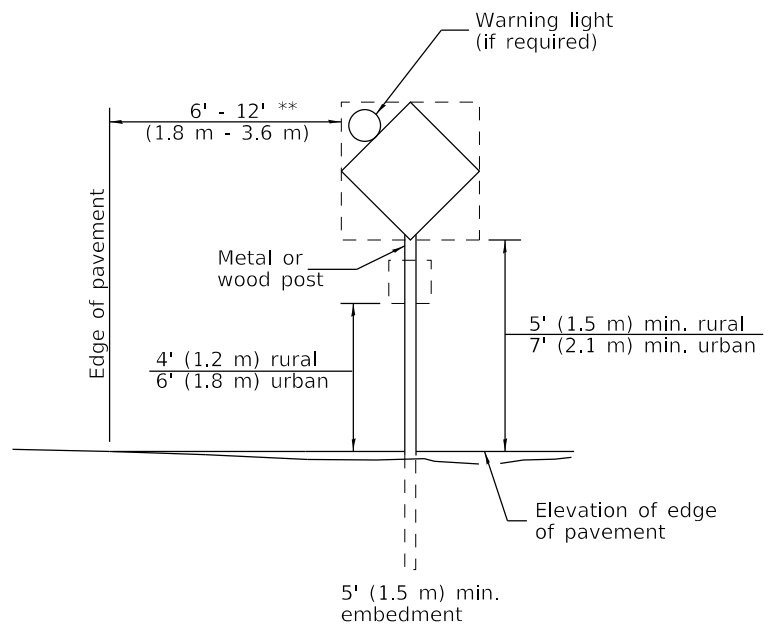
APPROVED January 1, 2019

 ENGINEER OF SAFETY PROG. AND ENGINEERING

APPROVED January 1, 2019

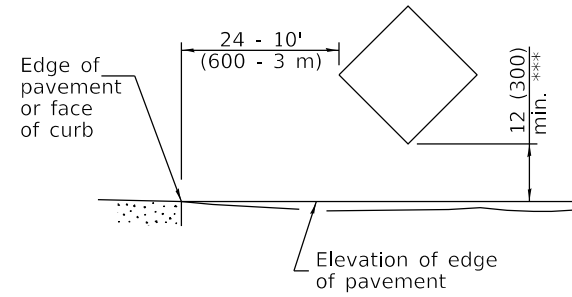
 ENGINEER OF DESIGN AND ENVIRONMENT

ISSUED
 ET-1-1



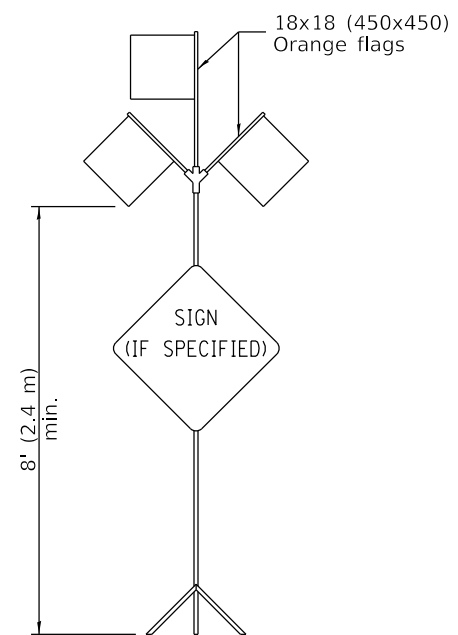
POST MOUNTED SIGNS

** When curb or paved shoulder are present this dimension shall be 24 (600) to the face of curb or 6' (1.8 m) to the outside edge of the paved shoulder.

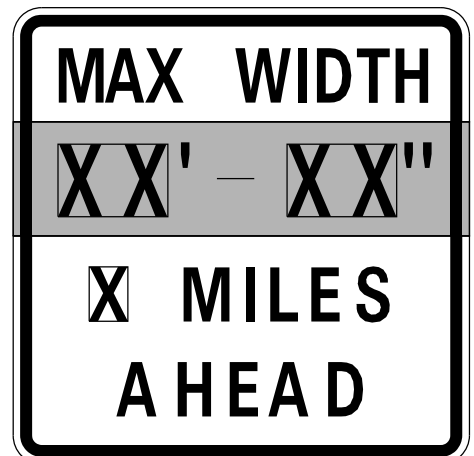


SIGNS ON TEMPORARY SUPPORTS

*** When work operations exceed four days, this dimension shall be 5' (1.5 m) min. If located behind other devices, the height shall be sufficient to be seen completely above the devices.



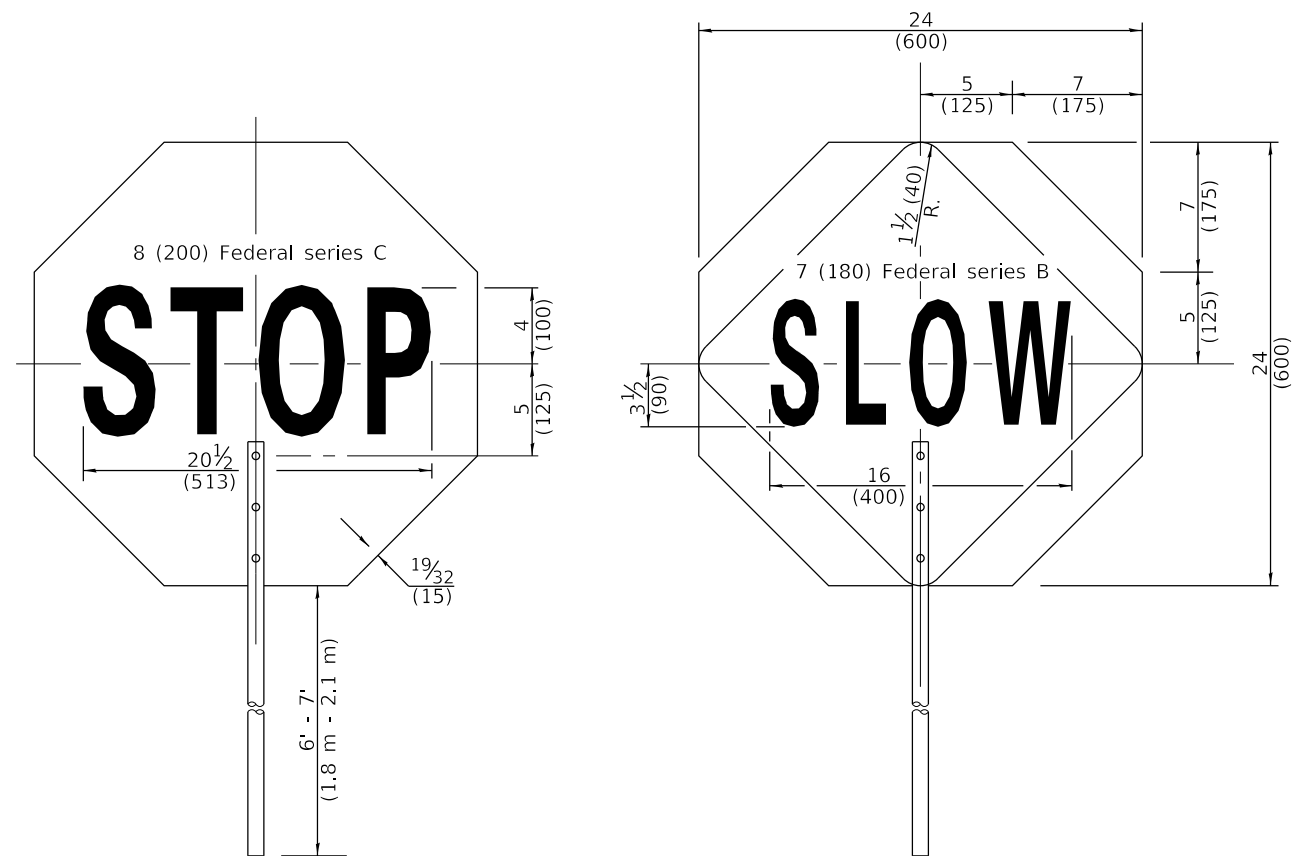
HIGH LEVEL WARNING DEVICE



W12-I103-4848

WIDTH RESTRICTION SIGN

XX'-XX" width and X miles are variable.



FRONT SIDE

REVERSE SIDE

FLAGGER TRAFFIC CONTROL SIGN

ROAD CONSTRUCTION NEXT X MILES	END CONSTRUCTION
G20-I104(0)-6036	G20-I105(0)-6024

This signing is required for all projects 2 miles (3200 m) or more in length.

ROAD CONSTRUCTION NEXT X MILES sign shall be placed 500' (150 m) in advance of project limits.

END CONSTRUCTION sign shall be erected at the end of the job unless another job is within 2 miles (3200 m).

Dual sign displays shall be utilized on multi-lane highways.

WORK LIMIT SIGNING

WORK ZONE	W21-III5(0)-3618
SPEED LIMIT XX	R2-1-3648
PHOTO ENFORCED	R10-I108p-3618 ****
\$XXX FINE MINIMUM	R2-I106p-3618

Sign assembly as shown on Standards or as allowed by District Operations.

END WORK ZONE SPEED LIMIT	G20-I103-6036
---------------------------	---------------

This sign shall be used when the above sign assembly is used.

HIGHWAY CONSTRUCTION SPEED ZONE SIGNS

**** R10-I108p shall only be used along roadways under the jurisdiction of the State.

Illinois Department of Transportation

APPROVED January 1, 2019
Cynthia Watt
 ENGINEER OF SAFETY PROG. AND ENGINEERING

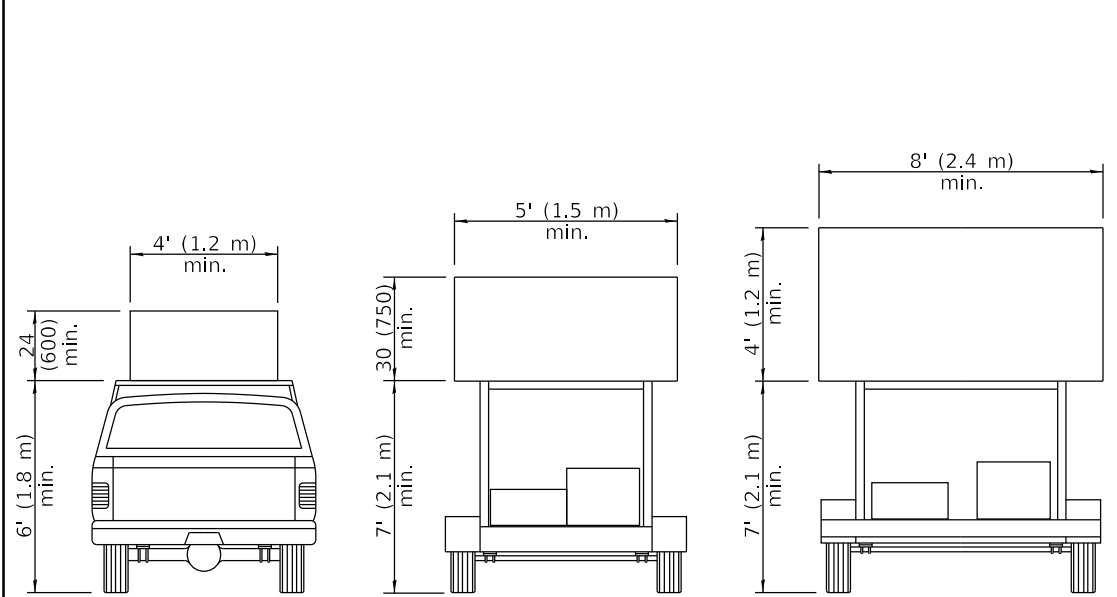
APPROVED January 1, 2019
J. E. ...
 ENGINEER OF DESIGN AND ENVIRONMENT

ISSUED 1-1-13

TRAFFIC CONTROL DEVICES

(Sheet 2 of 3)

STANDARD 701901-08

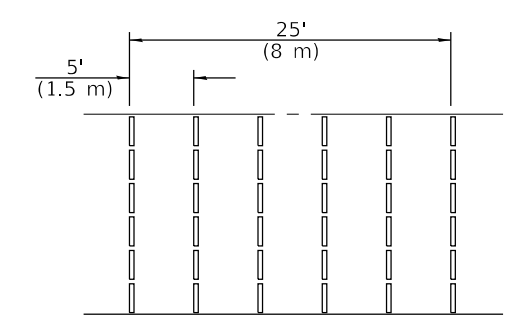
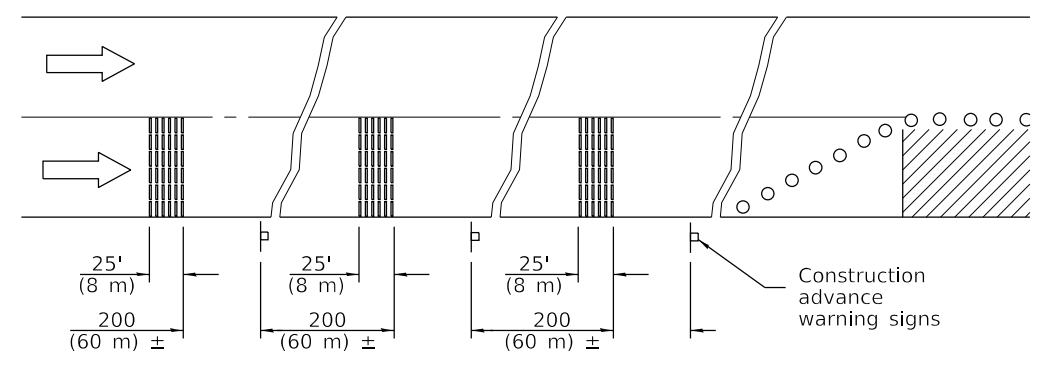
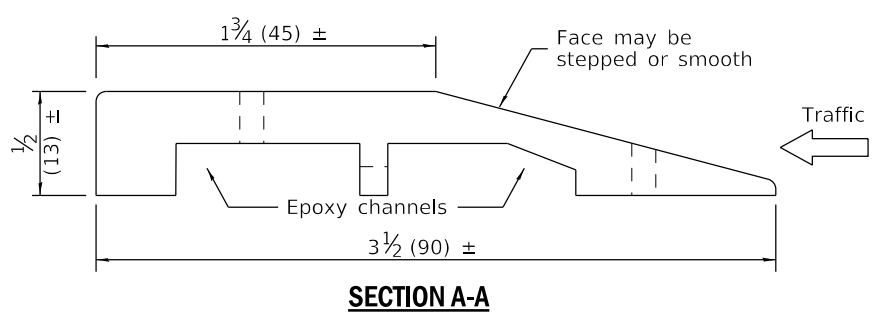
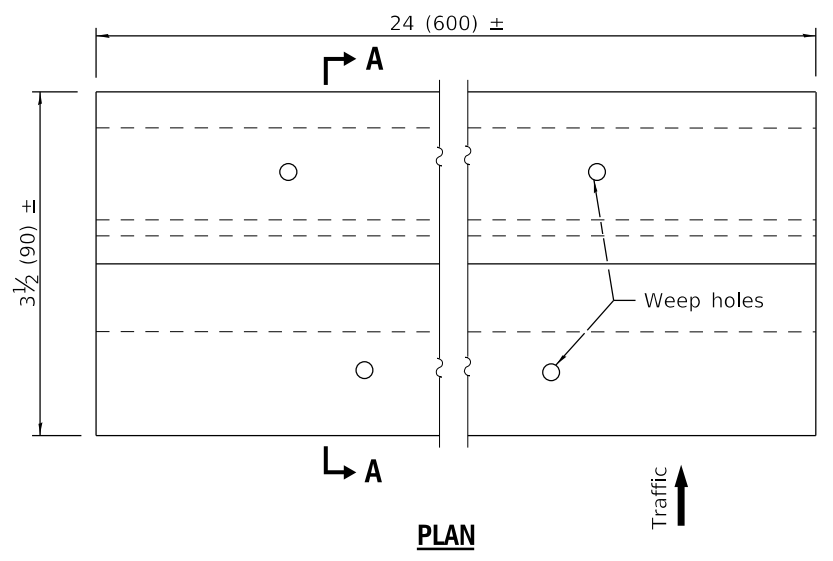


**TYPE A
ROOF
MOUNTED**

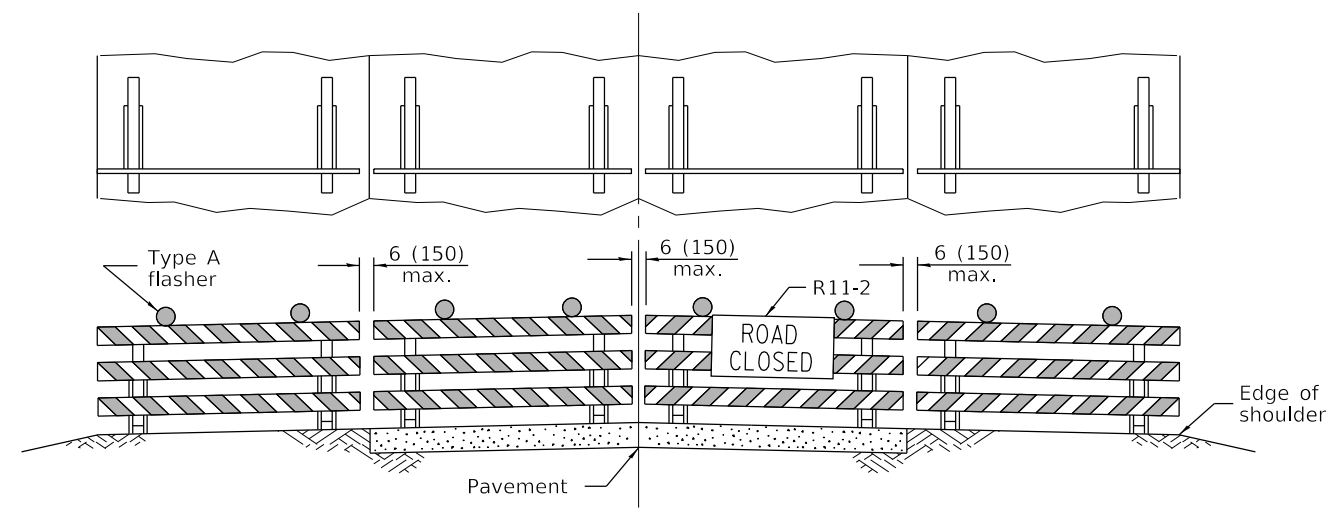
**TYPE B
ROOF OR TRAILER
MOUNTED**

**TYPE C
TRAILER
MOUNTED**

ARROW BOARDS

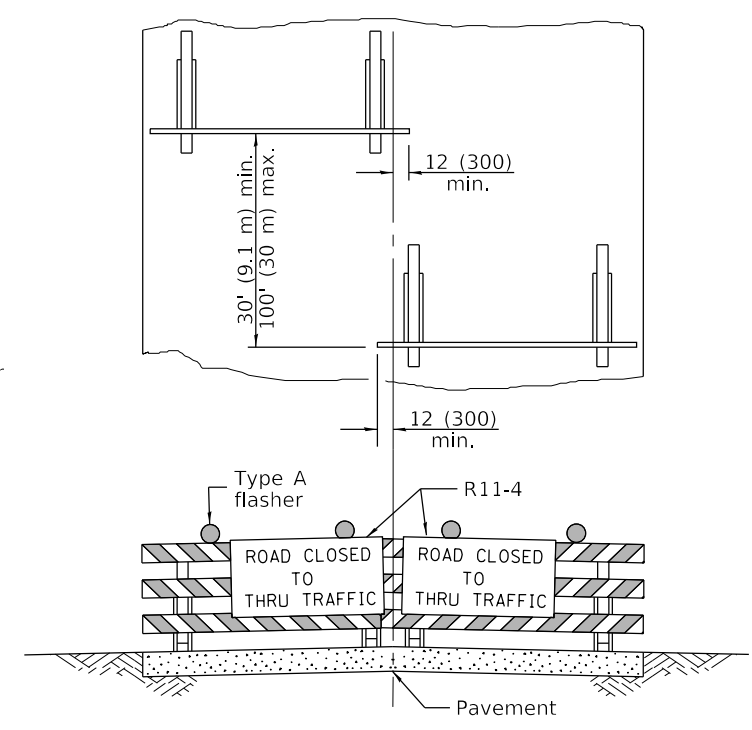


TEMPORARY RUMBLE STRIPS



ROAD CLOSED TO ALL TRAFFIC

Reflectorized striping may be omitted on the back side of the barricades. If a Type III barricade with an attached sign panel which meets NCHRP 350 is not available, the sign may be mounted on an NCHRP 350 temporary sign support directly in front of the barricade.



ROAD CLOSED TO THRU TRAFFIC

Reflectorized striping shall appear on both sides of the barricades. If a Type III barricade with an attached sign panel which meets NCHRP 350 is not available, the signs may be mounted on NCHRP 350 temporary sign supports directly in front of the barricade.

**TYPICAL APPLICATIONS OF
TYPE III BARRICADES CLOSING A ROAD**

Illinois Department of Transportation

APPROVED January 1, 2019

Cynthia Watt
ENGINEER OF SAFETY PROG. AND ENGINEERING

APPROVED January 1, 2019

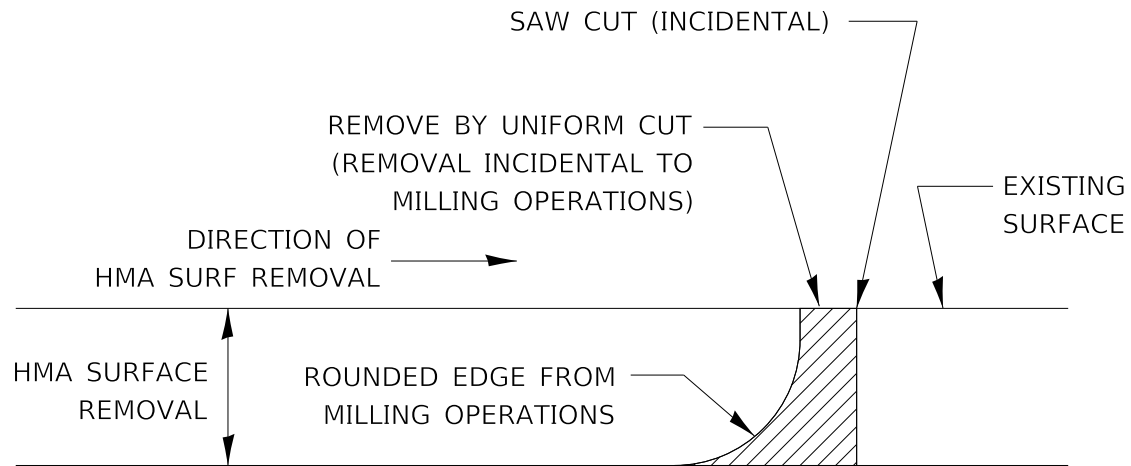
Joe E. ...
ENGINEER OF DESIGN AND ENVIRONMENT

ISSUES
E1-1-1 Q3581

**TRAFFIC CONTROL
DEVICES**

(Sheet 3 of 3)

STANDARD 701901-08



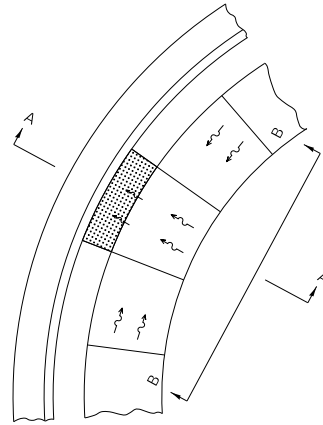
NOTE:

WHEN MILLING OPERATIONS PRODUCE A ROUNDED EDGE,
THEN A SAW CUT SHALL BE USED TO MANUFACTURE
A PERPENDICULAR EDGE AS SHOWN IN THE DETAIL.
THE ENGINEER SHALL BE THE SOLE JUDGE
CONCERNING THE USE OF THIS DETAIL

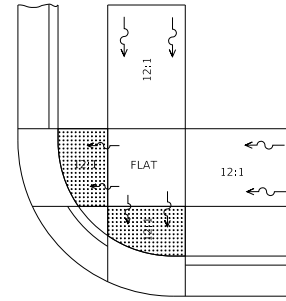
HMA DETAIL AT BUTT JOINTS

406-8

MODEL: IRI 3 - 03-2018
 FILE NAME: IRI3\ILLINOIS\DOT\DOCUMENTS\DOT OFFICIALS\IRI 3 STANDARD DETAILS_424-29\424-29 SURF, C&E PAVT, REBAR & SHULDR



SEE STANDARD 424001 FOR SIDE FLARE
DETAIL & SEE PLANS FOR RAMP TYPE.



NOTES:

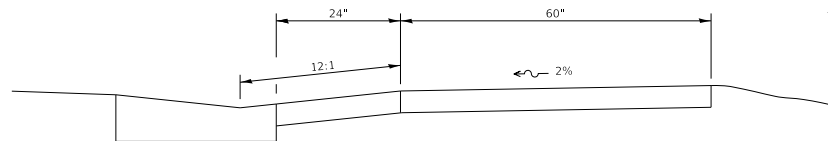
THIS DETAIL TO BE USED IN CONJUNCTION WITH STATE STANDARD 424001.

THE MAXIMUM ALLOWABLE CROSS SLOPE FOR SIDEWALK IS 2%.

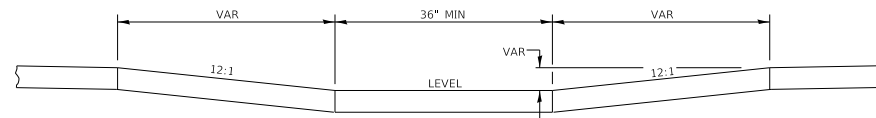
THE MAXIMUM ALLOWABLE SIDEWALK GRADE IS 8%.

IF SPACE LIMITATIONS PROHIBIT THE USE OF THE 12:1 SLOPE, THEN SLOPES BETWEEN 10:1 AND 12:1 ARE PERMITTED FOR A MAXIMUM RISE OF 6". SLOPES 8:1 AND 10:1 ARE ALLOWED FOR A MAXIMUM RISE OF 3". SLOPES STEEPER THAN 8:1 ARE NOT PERMITTED.

THE DEPRESSED CURB IS NOT STANDARD. THE RISE IS 1/2" INSTEAD OF 1 1/2".



SECTION A-A



SECTION B-B

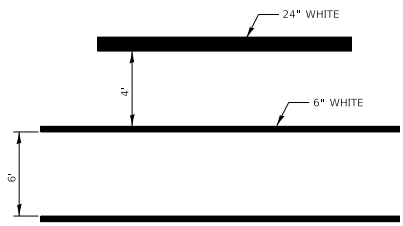
ADA SIDEWALK ACCESSIBILITY RAMP DETAIL

424-29

USER NAME	carcoran@dm	DESIGNED	-	REVISED	-
DRAWN	-	CHECKED	-	REVISED	-
DATE	-	DATE	-	REVISED	-

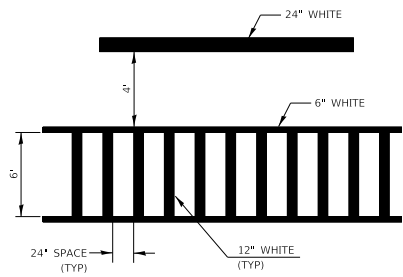
**STATE OF ILLINOIS
DEPARTMENT OF TRANSPORTATION**

SCALE:		SHEET	OF	SHEETS	STA.	TO	STA.	F.A. RITE	SECTION	COUNTY	TOTAL SHEETS	SHEET NO.
										CONTRACT NO.		
										ILLINOIS FED. AID PROJECT		



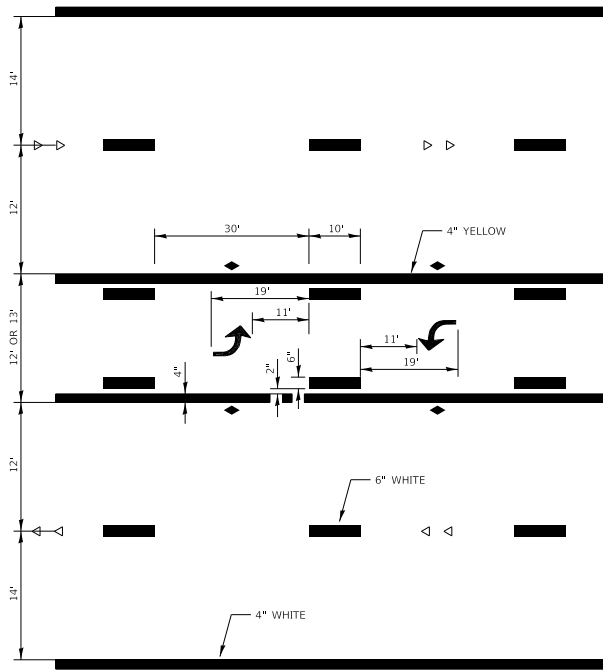
TYPICAL SPACING DETAIL FOR
CROSSWALKS AND STOP BARS

780-3
OPTION 1



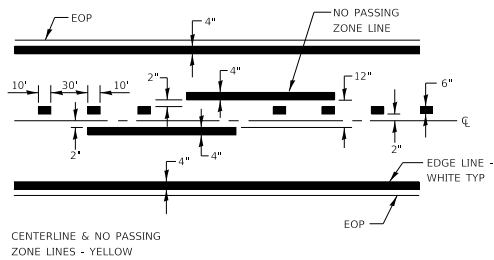
TYPICAL SPACING DETAIL FOR
CROSSWALKS AND STOP BARS

780-3
OPTION 2



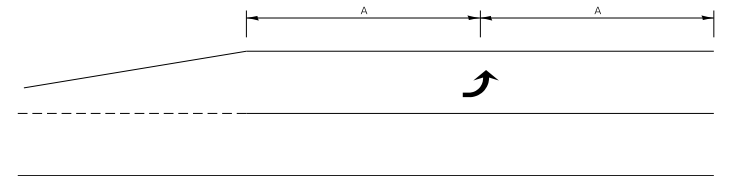
TYPICAL APPLICATION @
TWO WAY LEFT TURN LANE (TWLTL)

780-2

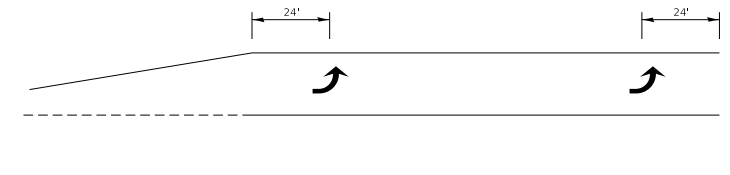


PAVEMENT MARKING

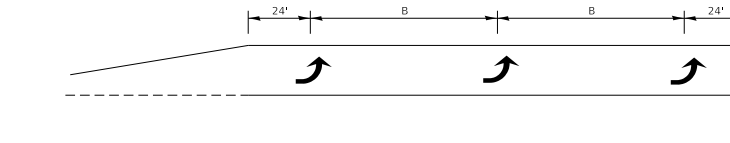
780-8



99° AND UNDER



100' TO 149'



150' AND LONGER

TYPICAL PLACEMENT OF ARROWS
IN TURN LANES

780-10

URBAN PAVEMENT MARKING

MODEL: 081131.dwg
 FILE NAME: I:\PROJECTS\2018\URBAN_PAVEMENT_MARKING\2018_URBAN_PAVEMENT_MARKING.dwg
 PROJECT: 2018_URBAN_PAVEMENT_MARKING
 SHEET: 780-10

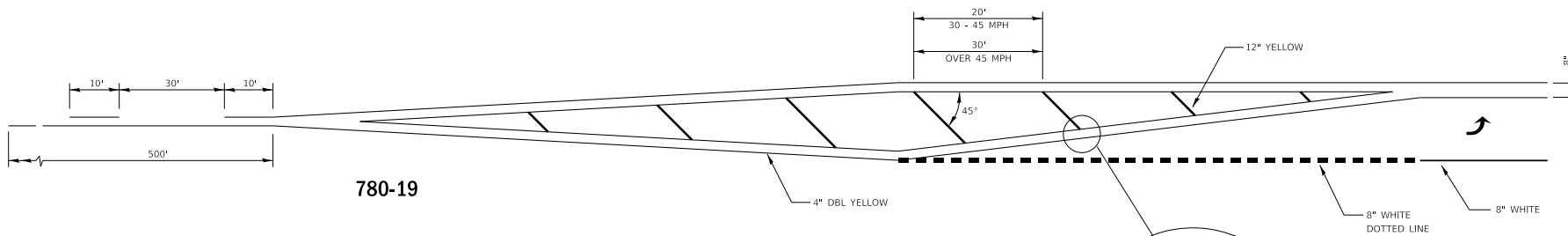
USER NAME	DESIGNED	REVISIONS
DRAWN	CHECKED	DATE
PLOT SCALE	DATE	
PLOT DATE		

STATE OF ILLINOIS
DEPARTMENT OF TRANSPORTATION

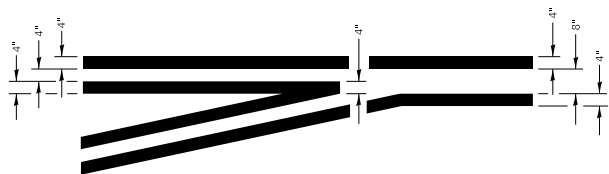
URBAN PAVEMENT MARKING

SCALE: SHEET OF SHEETS STA. TO STA.

F.A. SITE	SECTION	COUNTY	TOTAL SHEETS	SHEET NO.
CONTRACT NO.				
ILLINOIS FED. AID PROJECT				

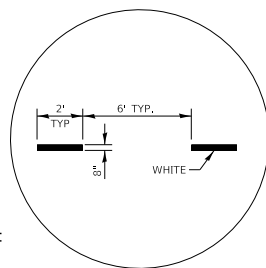


780-19



TYPICAL APPLICATION
@ LEFT TURN LANES

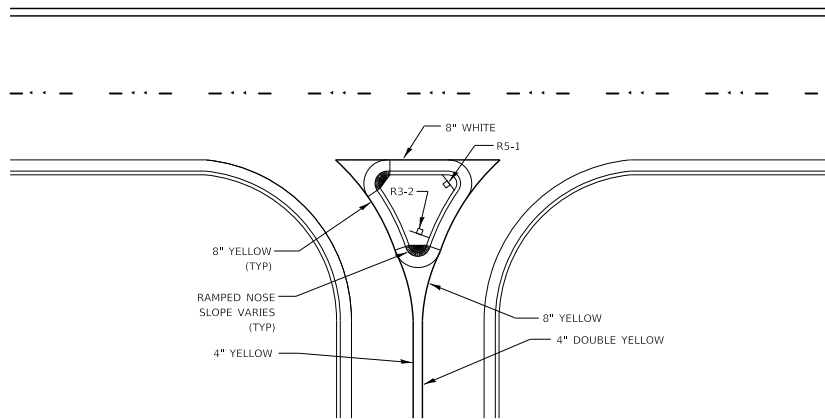
780-1



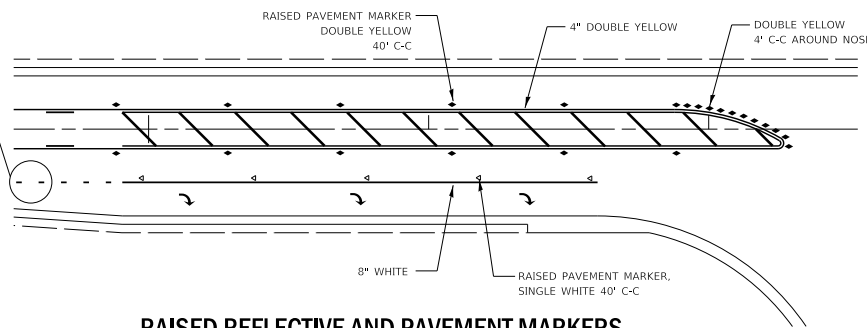
ADVANCE AND INTERSECTION LANE
DIVIDER LINES

780-5

URBAN PAVEMENT MARKING



RIGHT IN RIGHT OUT ACCESS PAVEMENT MARKING 780-16



RAISED REFLECTIVE AND PAVEMENT MARKERS
@ RIGHT TURN LANE

781-1

MODEL: 001 3 0401K
 FILE NAME: I:\PROJECTS\2018\20180418\20180418.DWG
 PROJECT: ILLINOIS DEPARTMENT OF TRANSPORTATION - URBAN PAVEMENT MARKING - STANDARD DETAILS - 2018

USER NAME	DESIGNED	REVISED
DRAWN	REVISED	REVISED
PLOT SCALE	CHECKED	REVISED
PLOT DATE	DATE	REVISED

STATE OF ILLINOIS
DEPARTMENT OF TRANSPORTATION

URBAN PAVEMENT MARKING

SCALE: SHEET OF SHEETS STA. TO STA.

F.A. RTE.	SECTION	COUNTY	TOTAL SHEETS	SHEET NO.
CONTRACT NO.				
ILLINOIS FED. AID PROJECT				